

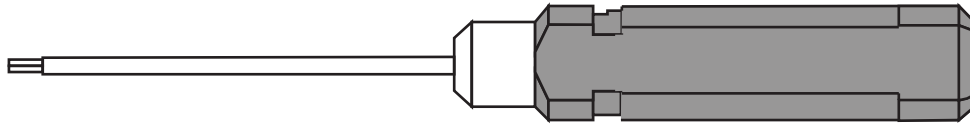
TRAILFINDER 2 **LWB** RTR

Trail Finder 2 "LWB" RTR w/Mojave II Four Door Body Set



www.rc4wd.com

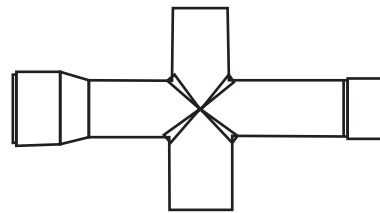
Recommended Tools



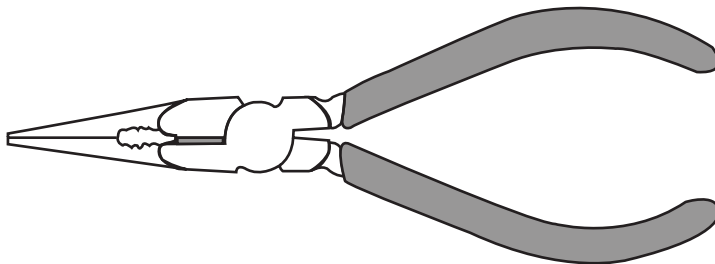
Hex Drivers (1.5mm, 2mm, 2.5mm)



Thread Lock



Cross Wrench



Long Nose Pliers

Tips for Assembly

Use good quality hex drivers to avoid stripping screw heads.

Use thread lock when putting metal screws into metal parts.

Note: Steps marked with an asterisk (*) require thread lock.

Use thread lock sparingly.

Do not over tighten screws otherwise you may strip the thread.

Warranty

RC4WD non-electrical products are warranted to be free of defects in materials and workmanship when new. Our limited warranty does not cover damages due to normal wear and tear, user error of assembly or installation, user modifications, user's failure to perform routine maintenance, addition of aftermarket parts or option parts. This warranty lasts 30 days after arrival for original purchaser. In the event of a defect under this warranty, RC4WD will, at our discretion, replace the product, provided our inspection indicates that an original defect exists. RC4WD reserves the right to replace any product which is no longer available with a product of comparable value and function. If RC4WD determines the repair is not covered under warranty guidelines, we will contact you to discuss your options. If you have any question, please contact us via email at support@rc4wd.com.

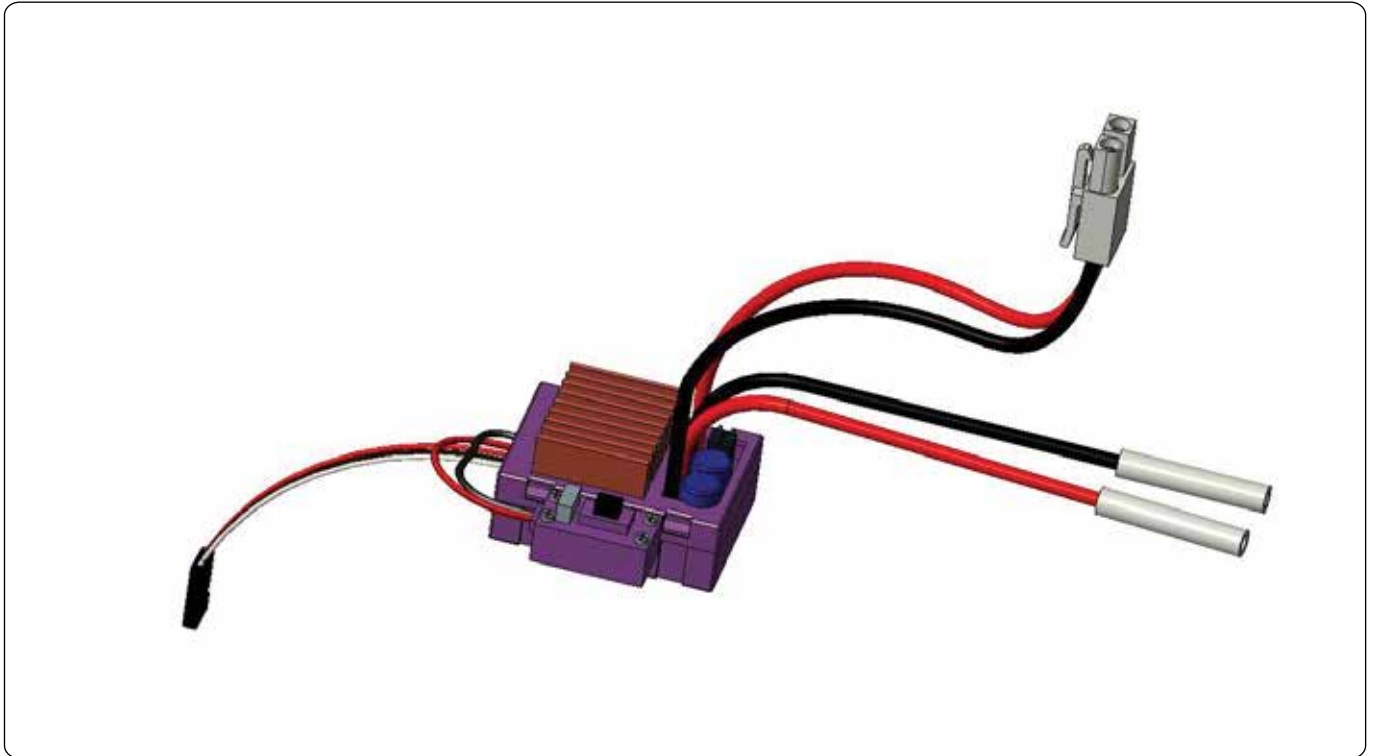
RC4WD warranties its electronics for 30 days from date of arrival. This covers all electrical items except items that are already noted on the individual product page.



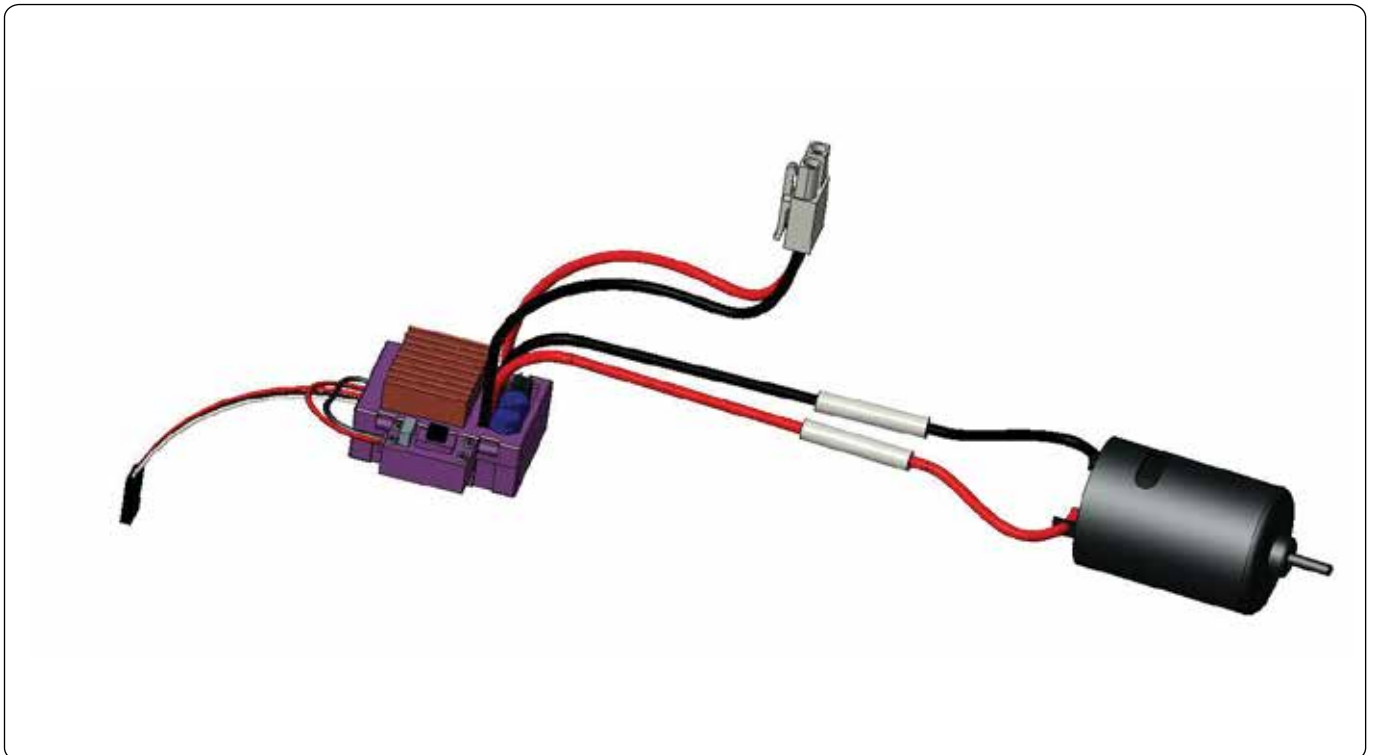
Trail Finder 2 LWB RTR Electronic Manual

This is a step by step overview of your new TF2 LWB RTR electrical items and how they connect.

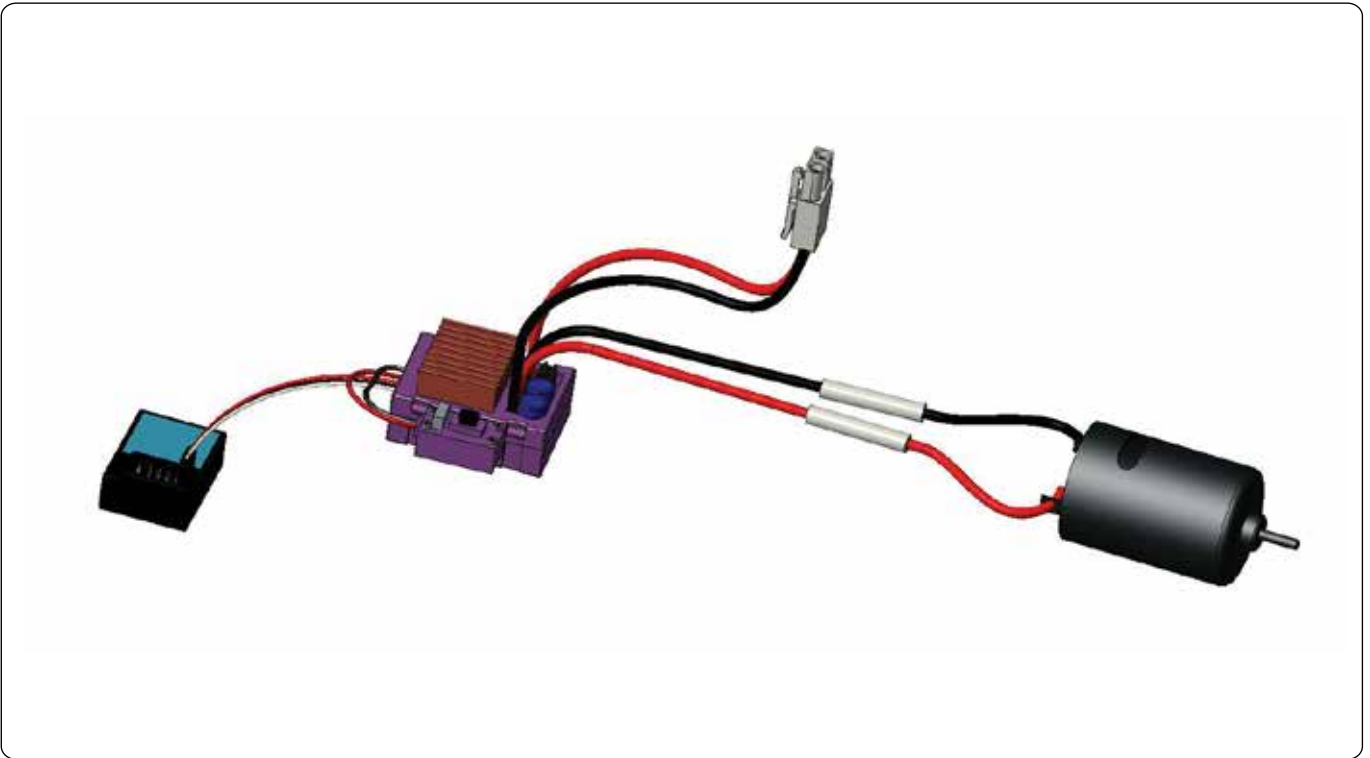
1. Outcry II Waterproof ESC (Z-E0089)



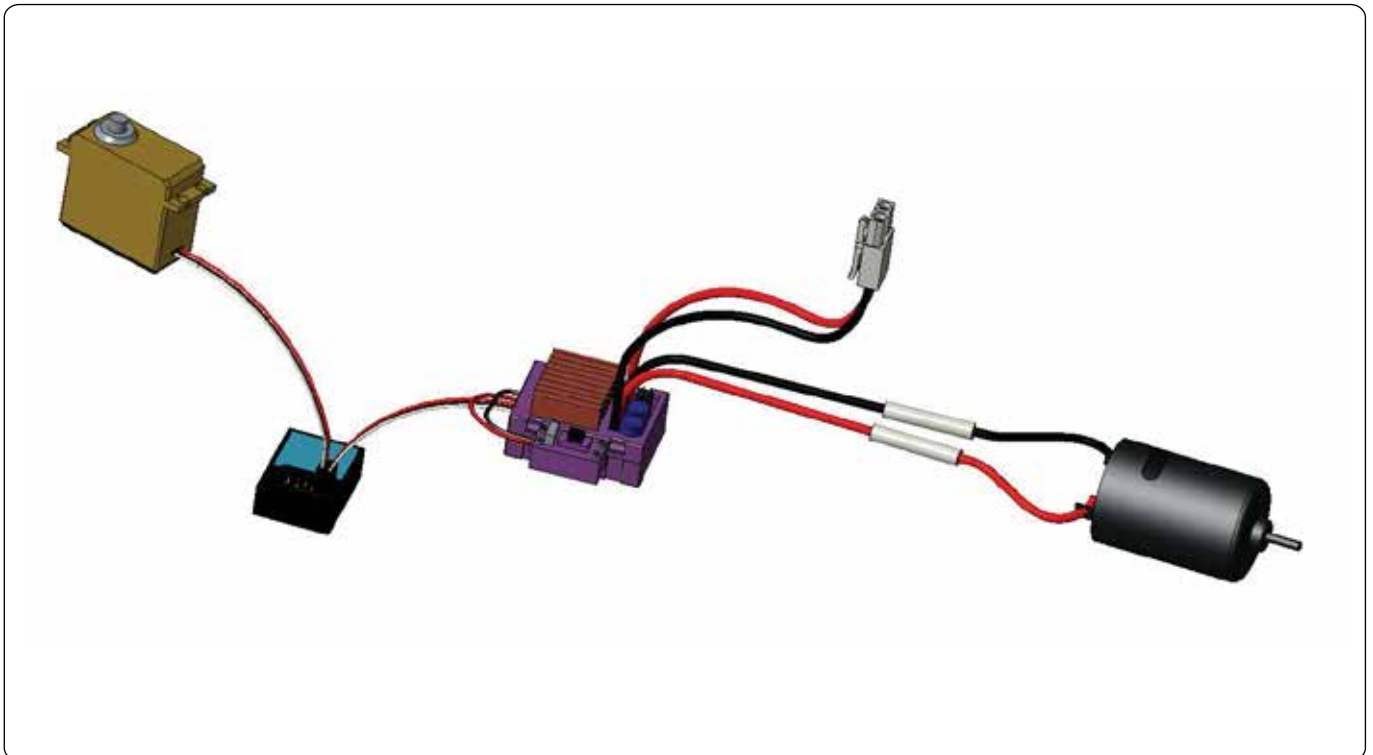
2. Shows the ESC connected to the Brushed 45T Crawler Motor (Z-E0004)



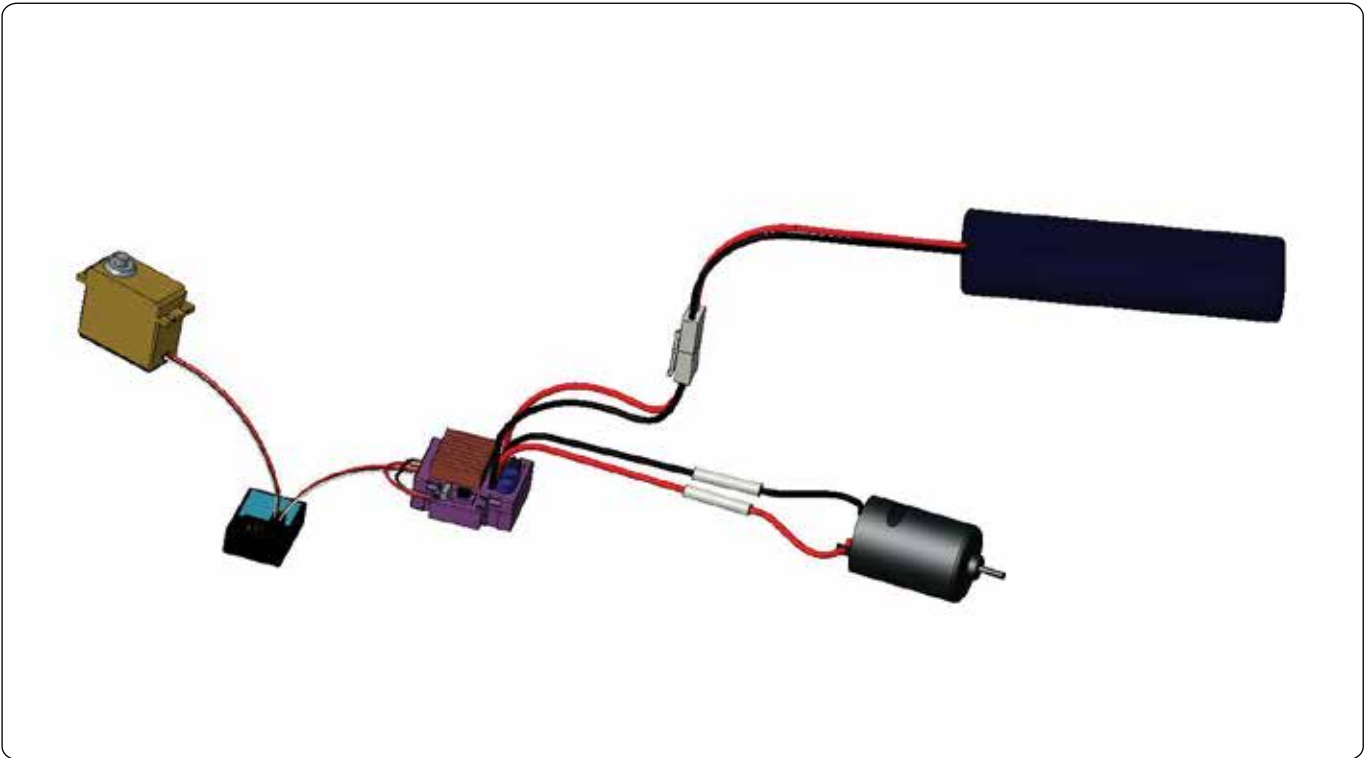
3. This shows the ESC to radio's receiver (Z-R0008) connected to the B/C port



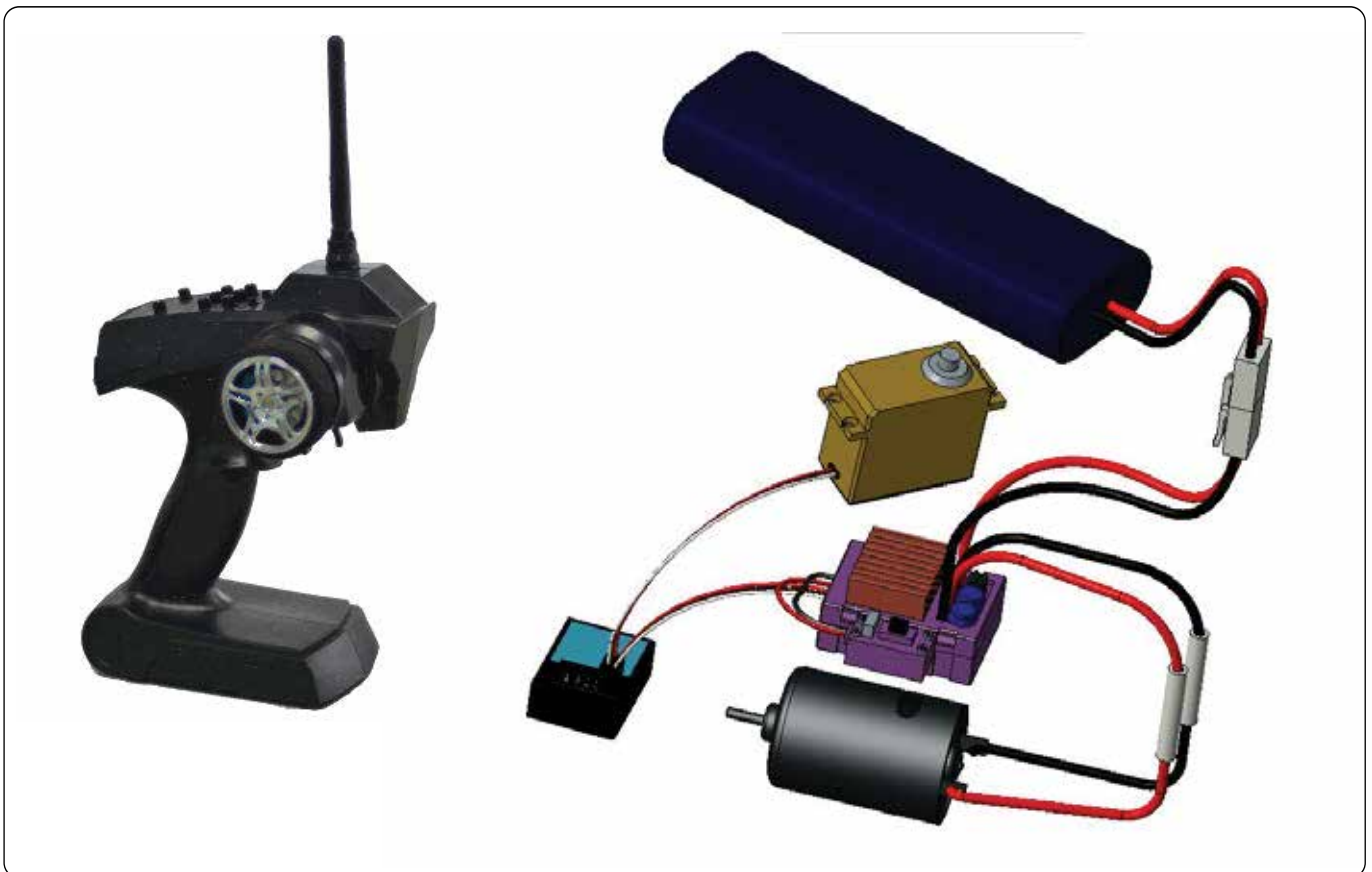
4. Connect the servo (Z-E0035) to the radio's receiver Channel 1 (CH1). This controls the truck's steering from the radio.



5. Shows the battery connected to the ESC
4-9 NiCd/NiMH cells (1.2V per cell) or 3S 11.1V LiPo



6. This final step shows all the items as they are connected on the truck



Items Shown:

Z-R0009 XR3 3-Channel 2.4Ghz Transmitter/Receiver Radio

Z-E0089 Outcry II Waterproof ESC

Z-E0035 Twister High Torque Metal Gear Digital Servo

Z-E0004 540 Crawler Brushed Motor 45T

Optional Parts:

Z-R0008 XR3 2.4Ghz 4-Channel XR4 2.4Ghz Blue Receiver

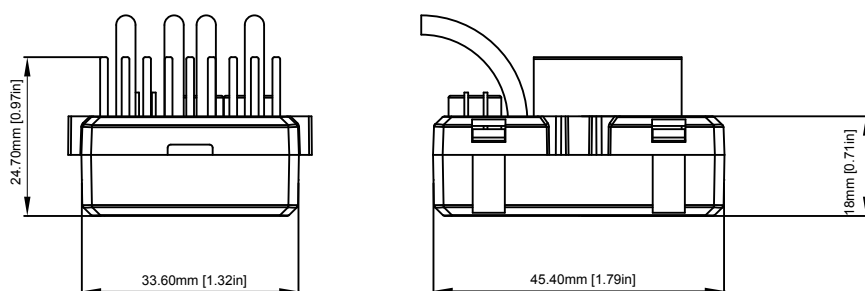


RC4WD Outcry II Waterproof ESC

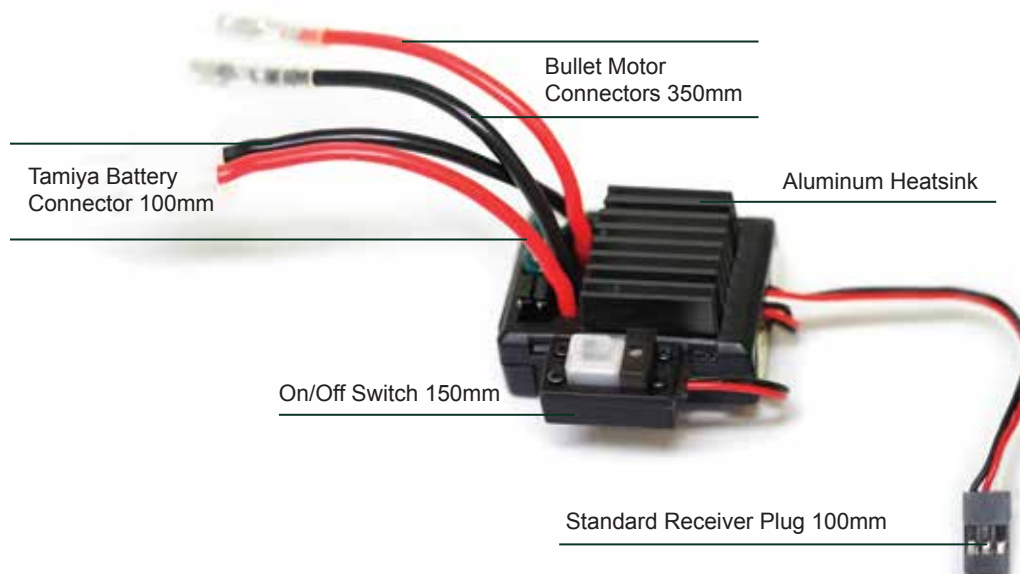
BASIC SPECIFICATIONS

Type	Brushed Motor ESC	
Model	Z-E0089	
Specifications	1/10 Electric ESC	
Lipo	2-3S	
NiMH (1.2V/PCS)	4-9 PCS	
BEC Output Voltage (V) - Current (A)	5V/2A	
ESC	Max Length (mm/in)	45.40mm [1.79in]
	Max Height (mm/in)	24.70mm [0.97in]
	Max Width (mm/in)	33.60mm [1.32in]
Output Current	Continuous working current is 45A, Forward steps are 320A, Backward steps are 160A.	
Proper Motor	540 Motor Size/19T & Higher Winds	

SIZE SPECIFICATIONS



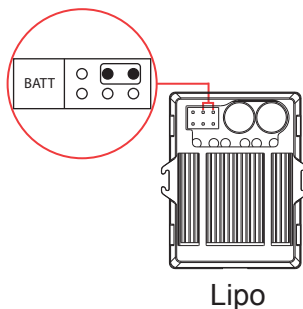
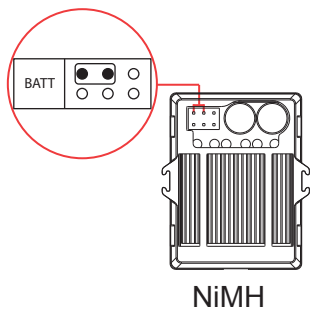
OVERVIEW



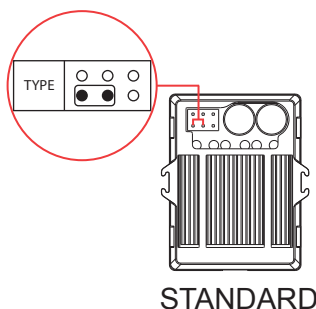
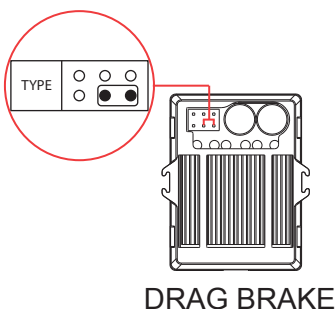
INSTRUCTIONS

Product Features and Characteristics

I. NiMH/Lipo Option



II. Drag Brake/Standard Option



III. Micro Controller (MCU) Automatic Learning Center Point

WARNING: Prior to proceeding, be sure to either remove the pinion from the motor or elevate the truck so the wheels are not able to touch the ground.

1. The CPU can automatically sense if it is at its center point. Keep the switch at "ON" after connecting with power, motor will emit a "DO" sound and start the center point learning process.

2. During this time, please do not touch the throttle. If the center point is reached, motor will emit a "DO RE MI" sound. If the center point is not reached, motor will emit a "DO DO..." sound. If this happens, user must manually adjust to center point. User should hear the motor go from emitting "DO DO..." sound to emitting "DO RE MI" sound. That's the center point learning process.

3. If the ESC is unable to receive the signal, LED light will flash very quickly to alert user that there is no signal.

IV. Automatic Temperature Protection

The automatic temperature protection can prevent ESC from any damages caused by overheating. This product has a special design for temperature control. When the temperature is very high, the ESC will stop power itself off and the LED light will stay on as a warning.

V. While in the lithium battery mode, the battery quantity will be automatically recognized.

A. This ESC will automatically determine if it's 2S or 3S, no human operation is required. Once connected to the power and the center point learning is completed, motor will emit a sound of battery quantity. For example, "MI MI" is for 2S, "MI MI MI" is for 3S.

B. This ESC will protect the lithium battery to avoid the battery from extreme discharge.

C. This ESC has an LED voltage warning. LED light will indicate a slow flashing when the lithium battery is being protected.

D. This ESC has a half-power warning. When using 2S battery, if the voltage goes down to 6V, ESC will start the half-power output. If the voltage goes down to 5.8V, ESC will stop working. When using 3S battery, if the voltage goes down to 9.6V, ESC will start the half-power output. If the voltage goes down to 9V, ESC will stop working.

IMPORTANT NOTES

1. Prior to proceeding, be sure to either remove the pinion from the motor or elevate the truck so the wheels are not able to touch the ground.

2. Do not touch this product while in use to avoid injury. Product emits heat and thus, the heat sink may become extremely hot.

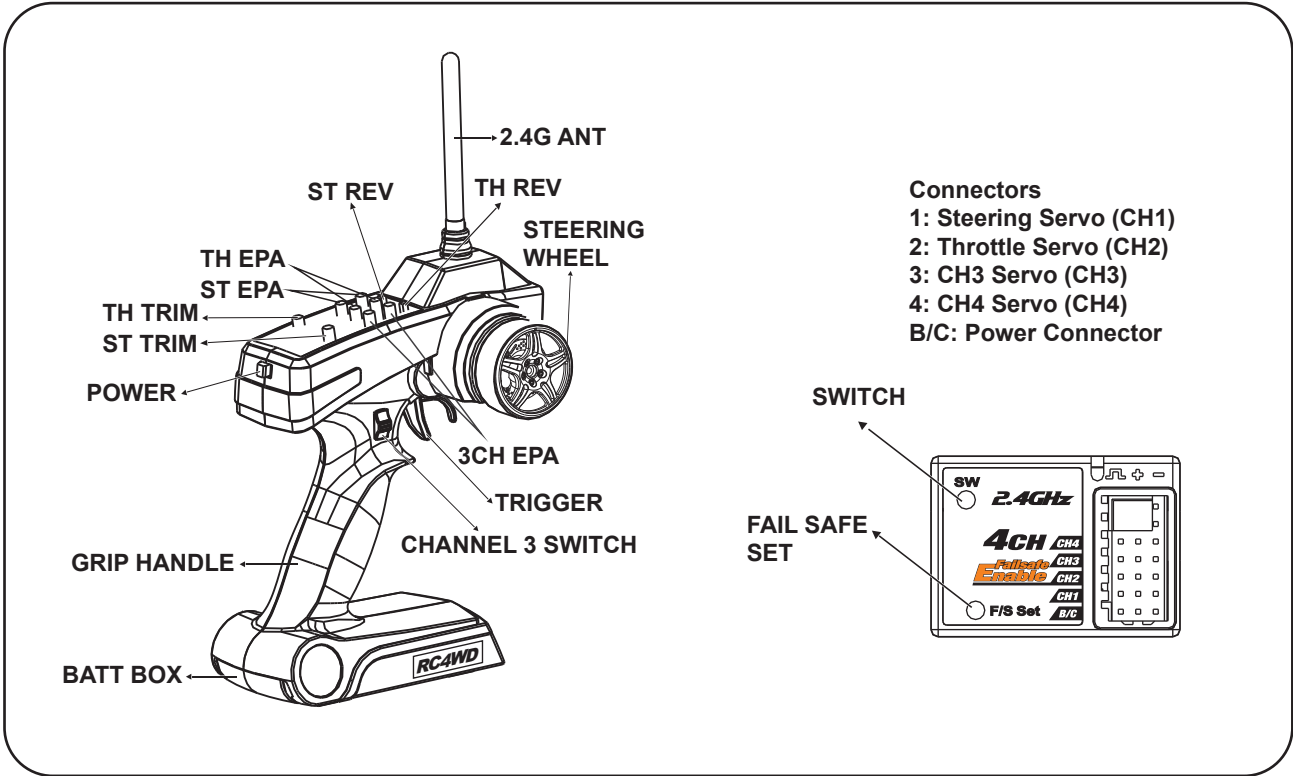
3. This product is waterproof. Product will be functional in up to 10cm of water for 2 hours.



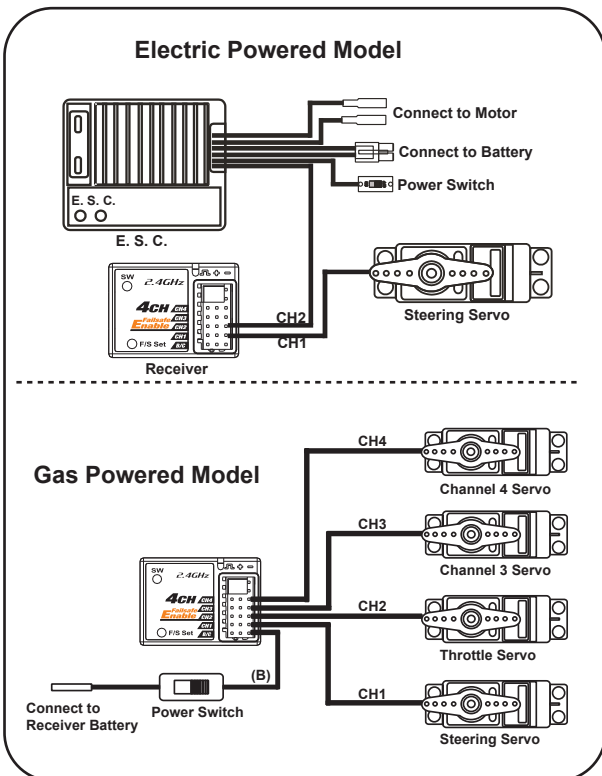


3C Transmitter / Radio

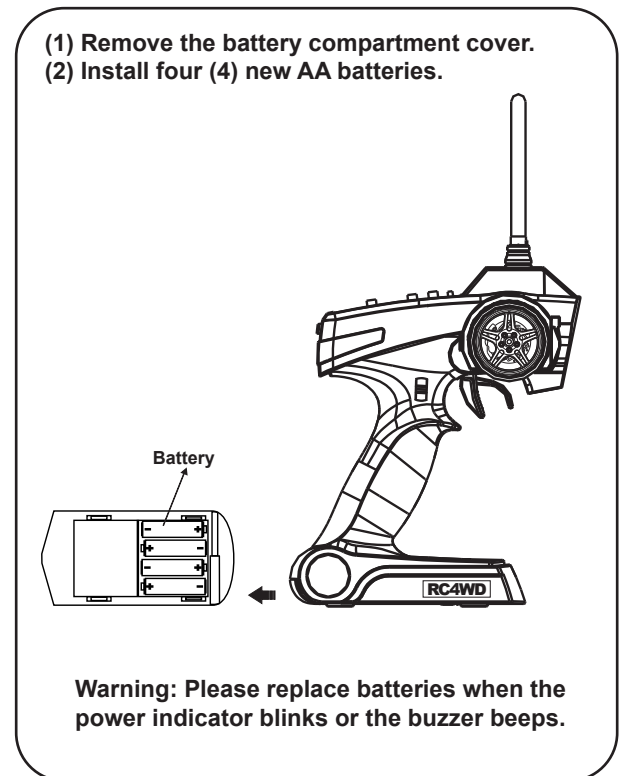
Step 1. Transmitter and Receiver Overview



Step 2. Receiver and Servo Connection



Step 3. Installing the Batteries



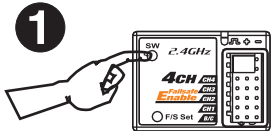
RC4WD USA 100-0012

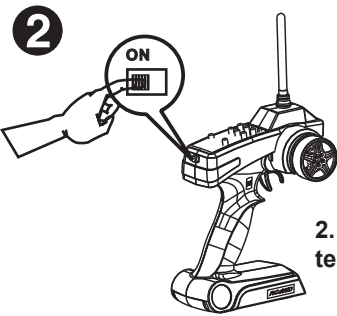


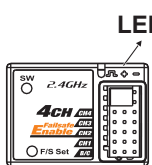


3C Transmitter / Radio

Step 4. Binding the Transmitter and Receiver

- 

1. Turn on the receiver's power. Press the SW switch. The receiver's LED should start flashing.
- 

2. Turn on the transmitter.
- 

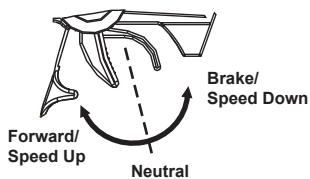
3. When the LED on the receiver becomes solid, the binding process is completed.

Step 5. Fail Safe Function Settings

1. Set the TH, ST switches to the normal position.
2. Turn on the transmitter and receiver.
3. Press the F/S SET button, the LED on the receiver should start flashing rapidly.
4. Put the throttle trigger in the brake position, press the F/S SET button. The LED should become solid.
5. For Electric Model, put the throttle trigger in the stop position when you are adjusting the setting.

Step 6. Transmitter Adjustments

A. Throttle Trigger

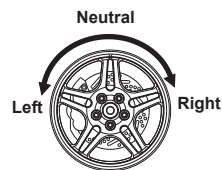


1. Push the trigger forward to slow down or brake.
2. Pull the trigger backward to accelerate.

WARNING: 1) Keep the transmitter and receiver 40cm apart when operating.

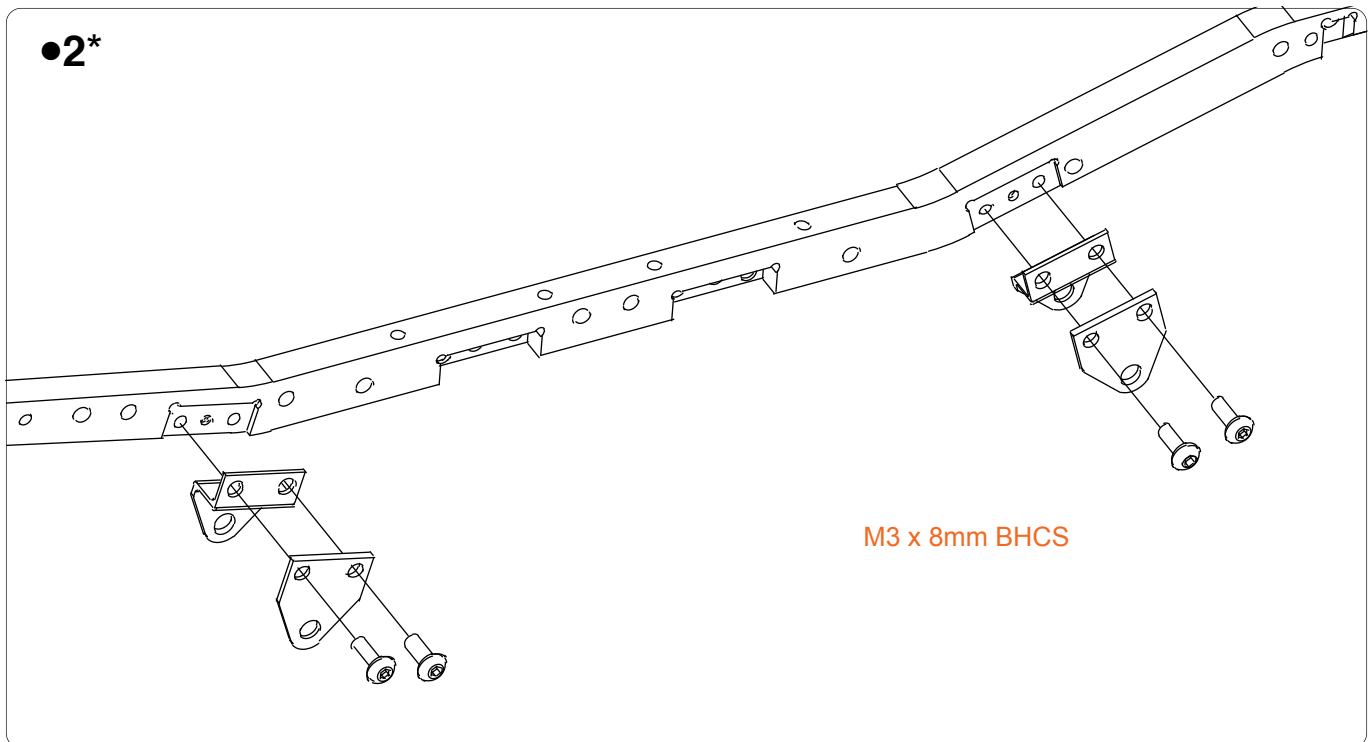
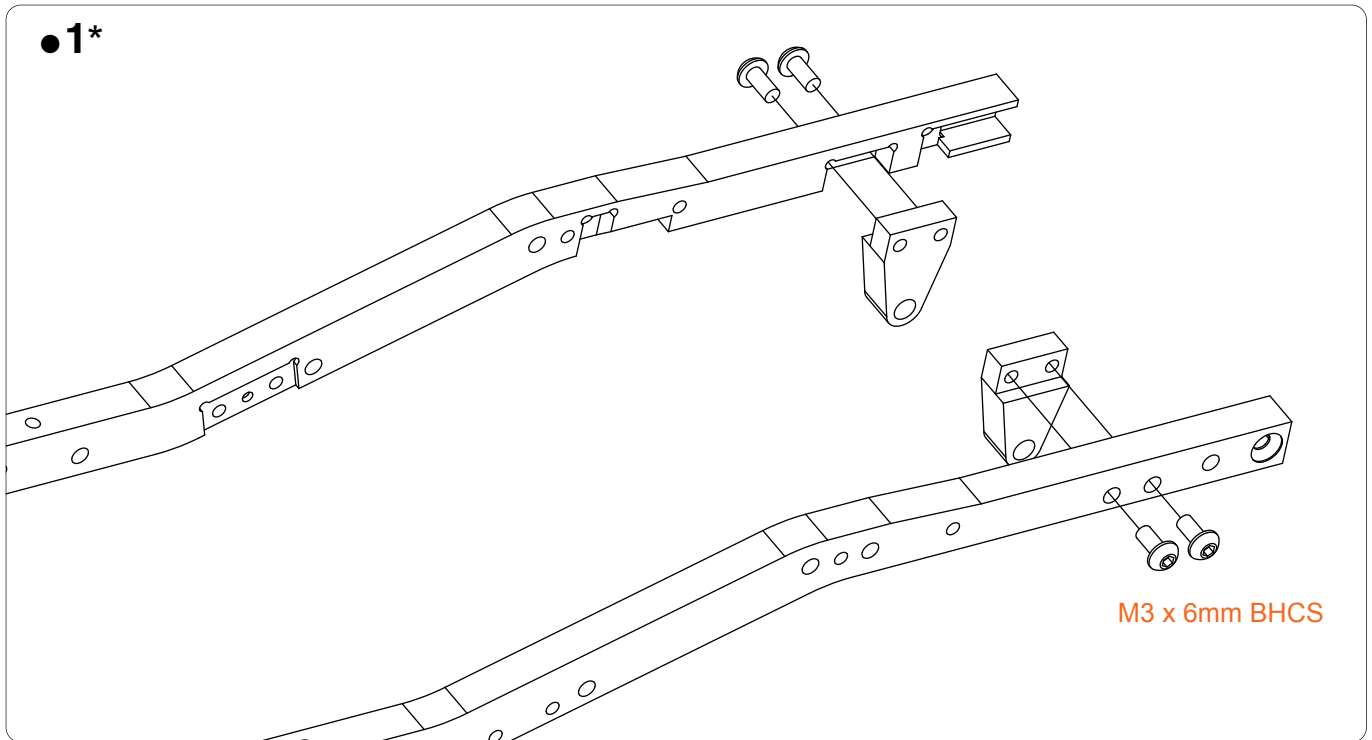
2) Do not operate the radio system when the battery power is low.

B. Steering Wheel



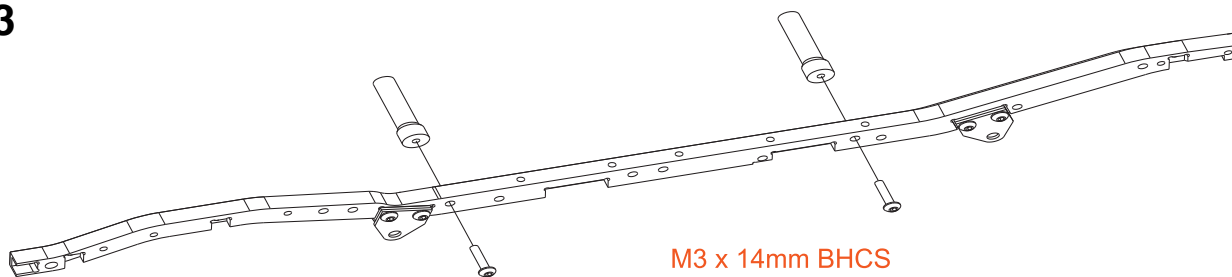
Turn the steering wheel to the left or right to let the vehicle turn left or right.

All hardware should be taken from Bag C

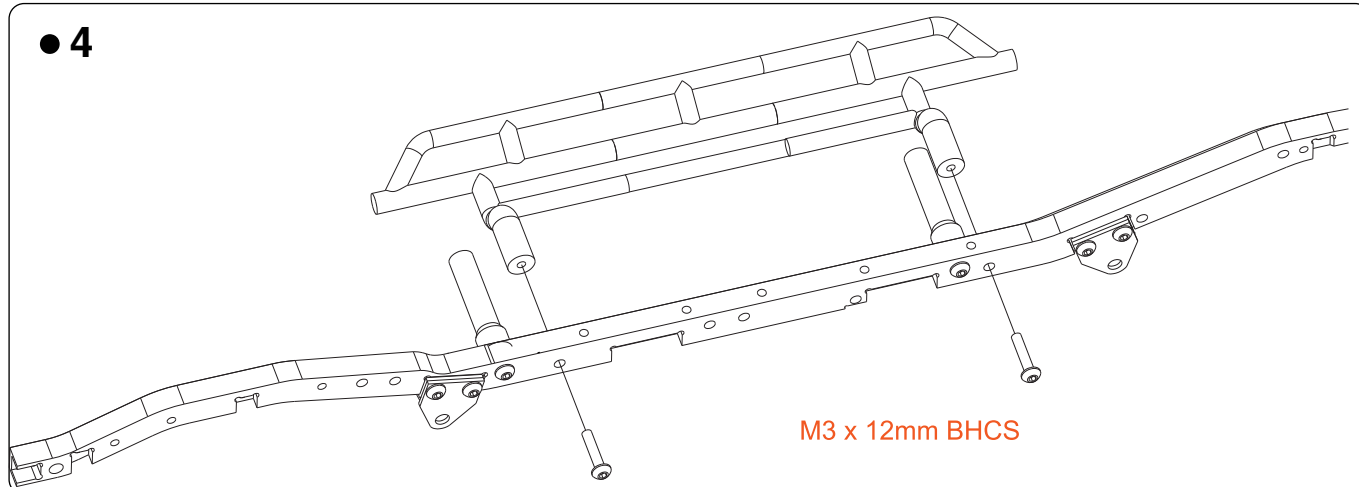


Plastic parts can be found in Bag D

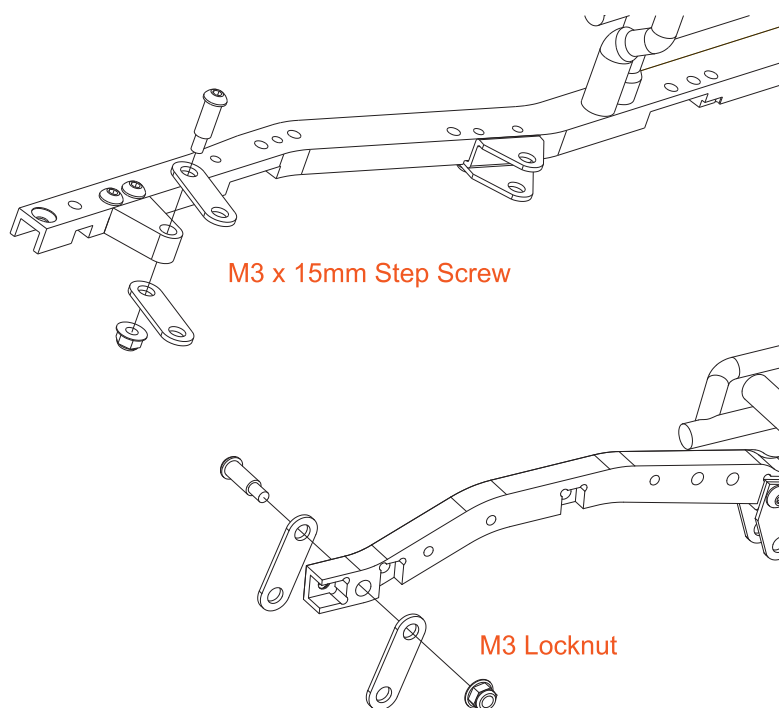
●3



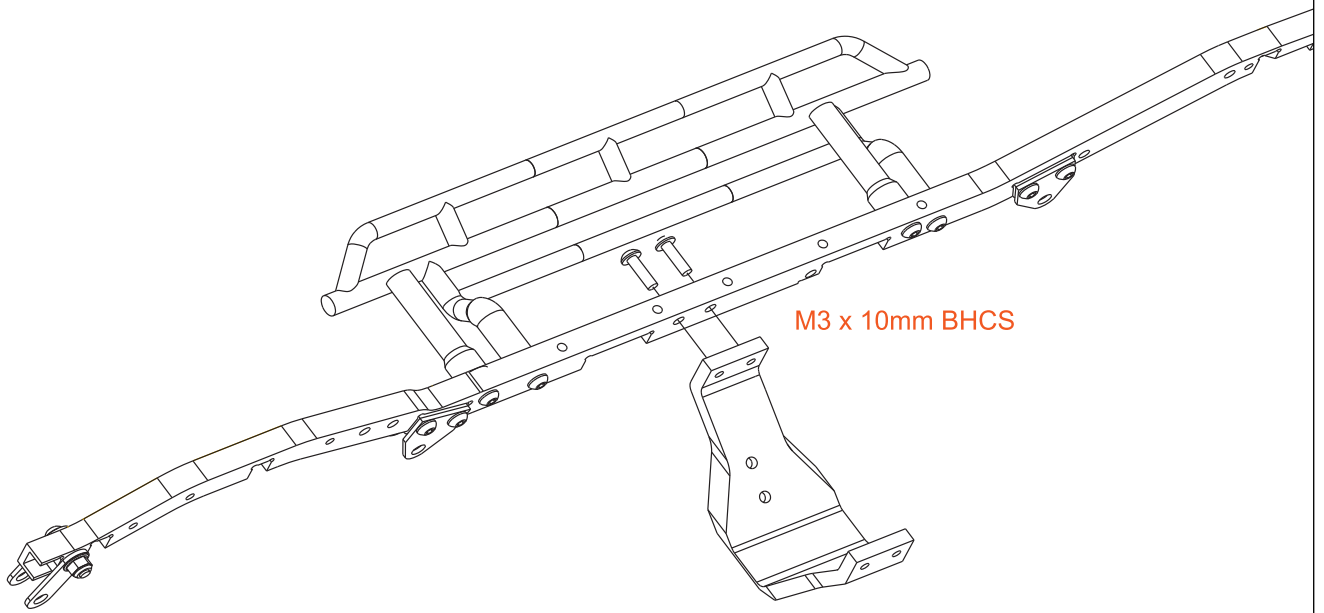
●4



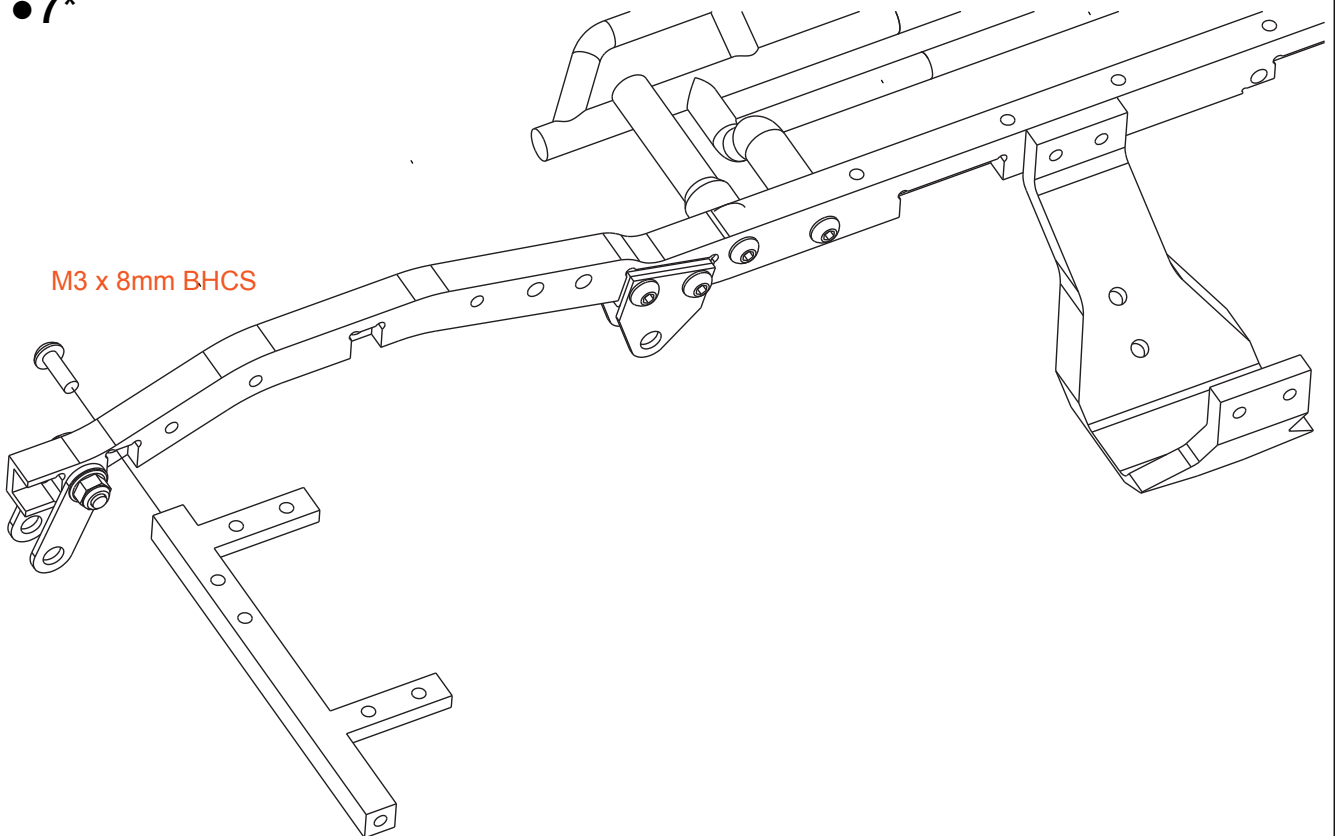
●5



●6*



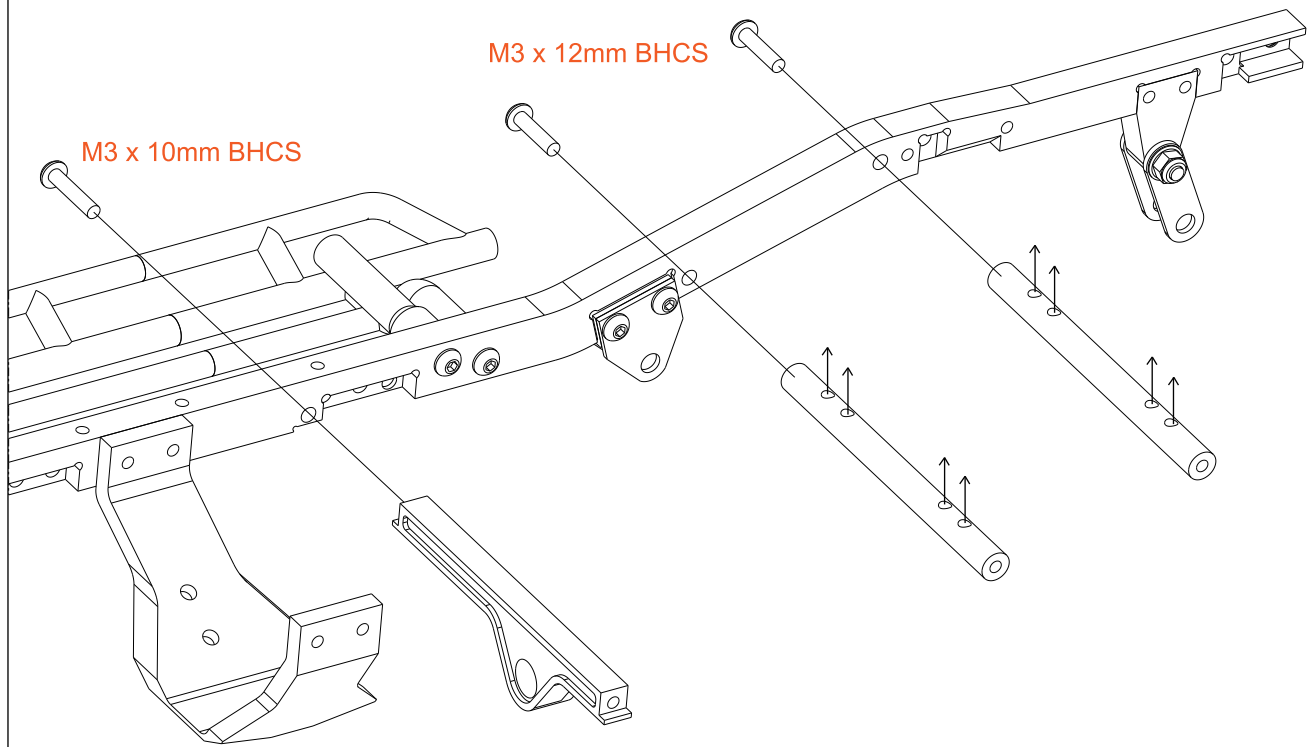
●7*



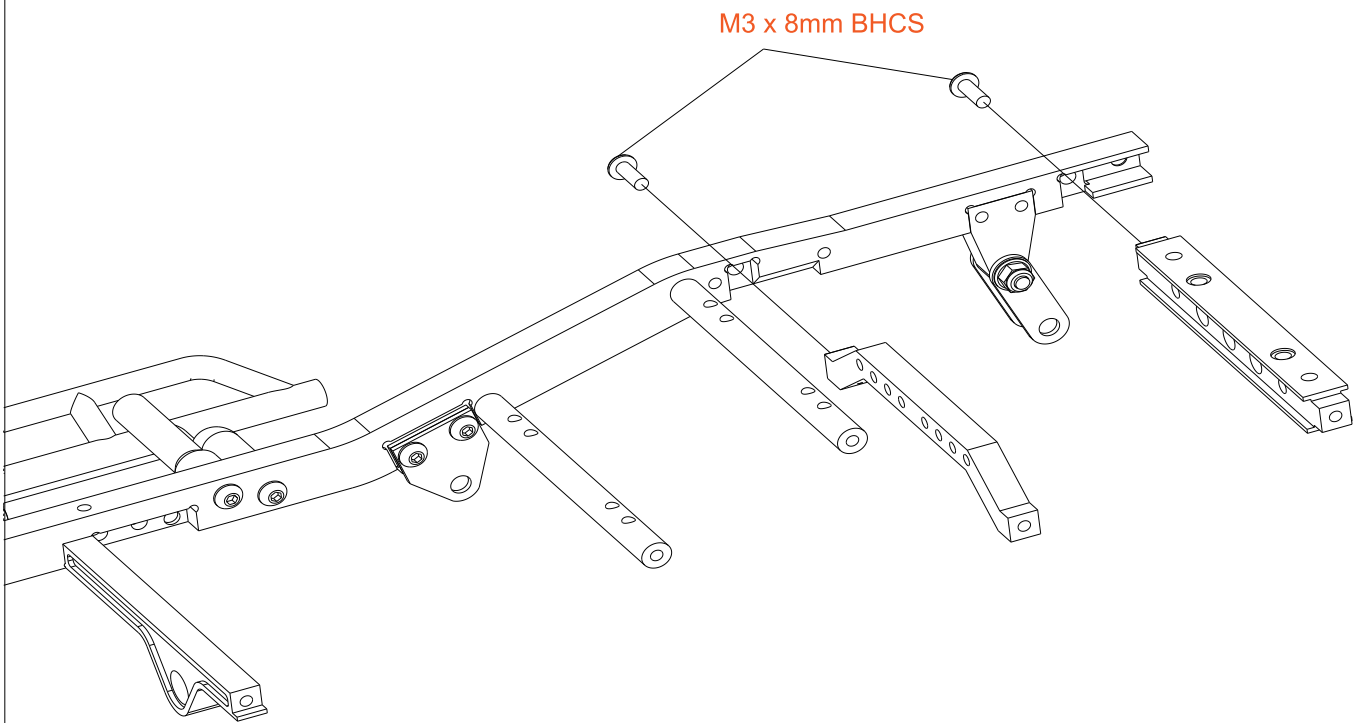
TRAILFINDER 2 LWB RTR

Trail Finder 2 "LWB" RTR w/ Mojave II Four Door Body Set

●8*

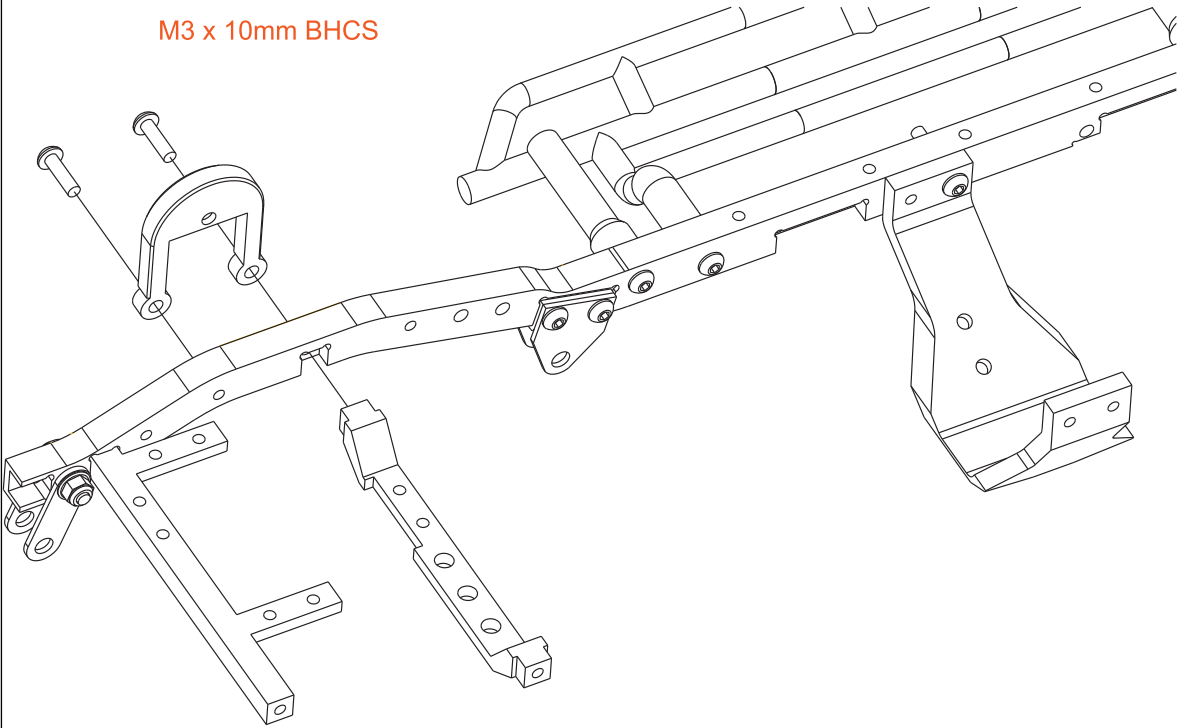


●9*



●10*

M3 x 10mm BHCS



●11*

M3 x 8mm BHCS

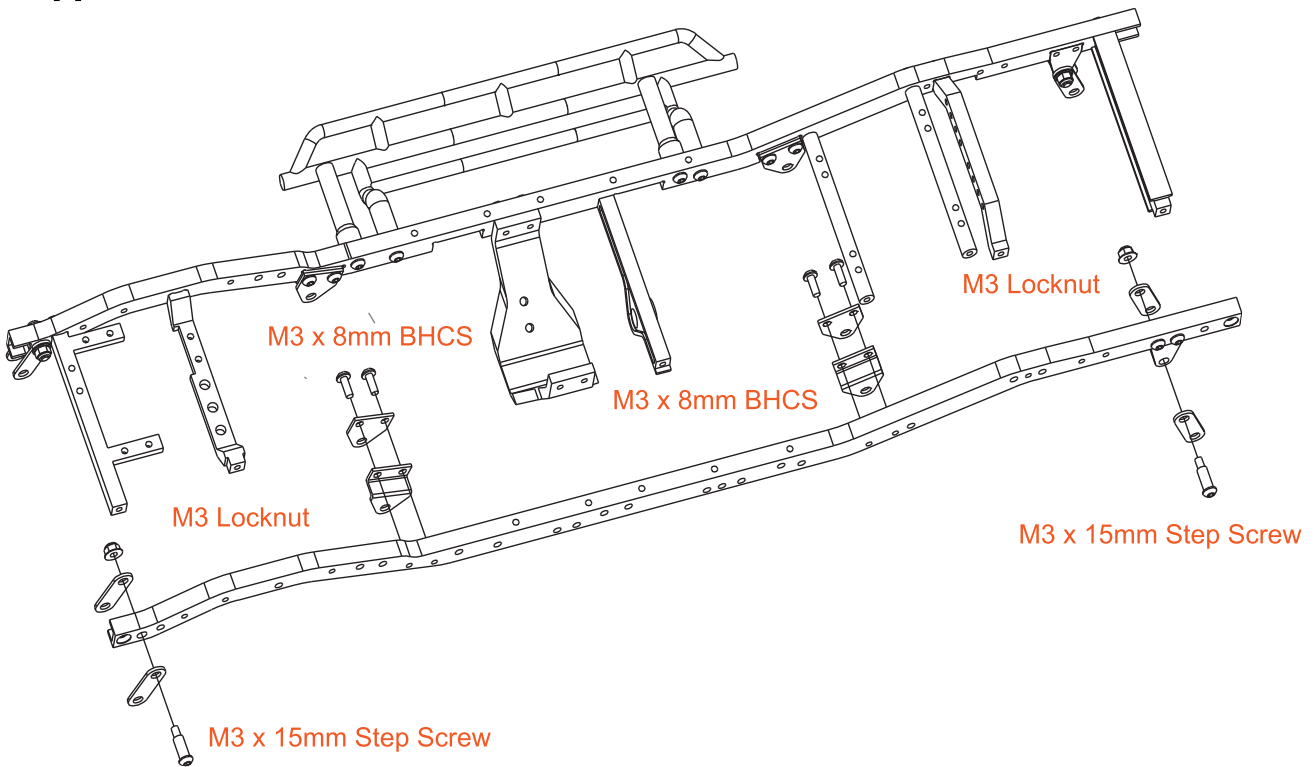
M3 x 8mm BHCS

M3 Locknut

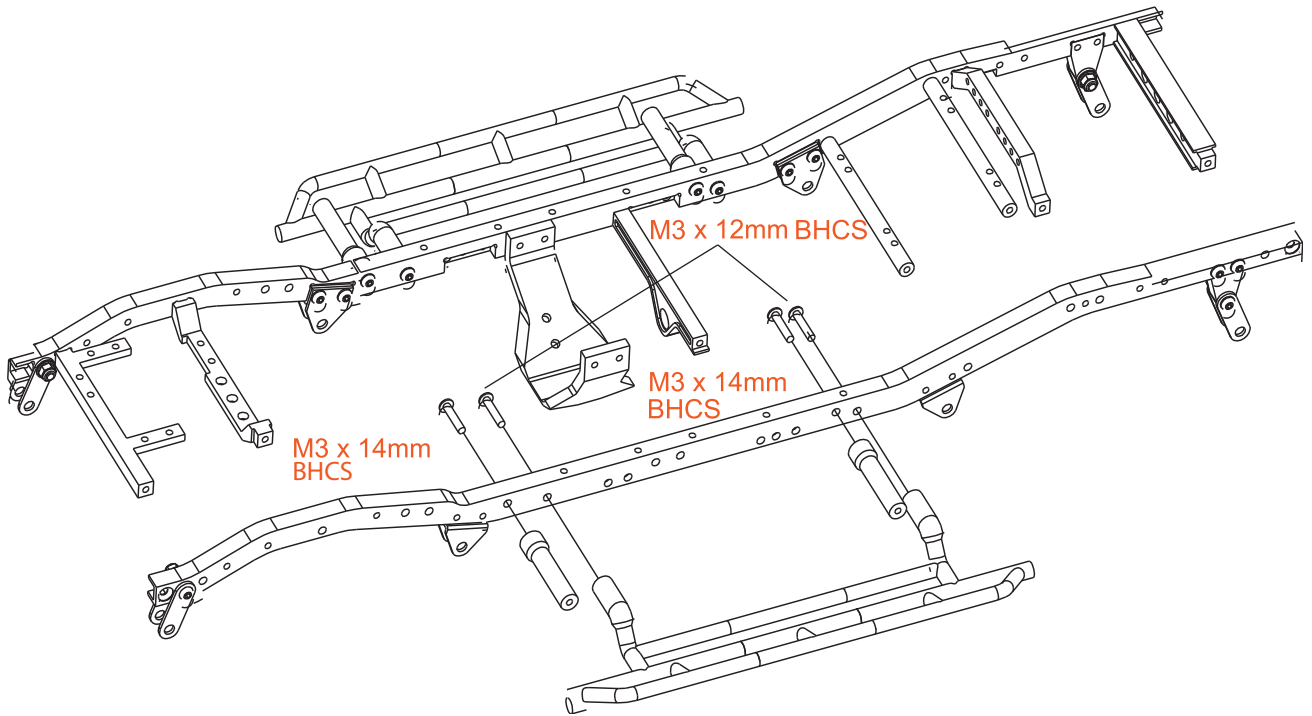
M3 Locknut

M3 x 15mm Step Screw

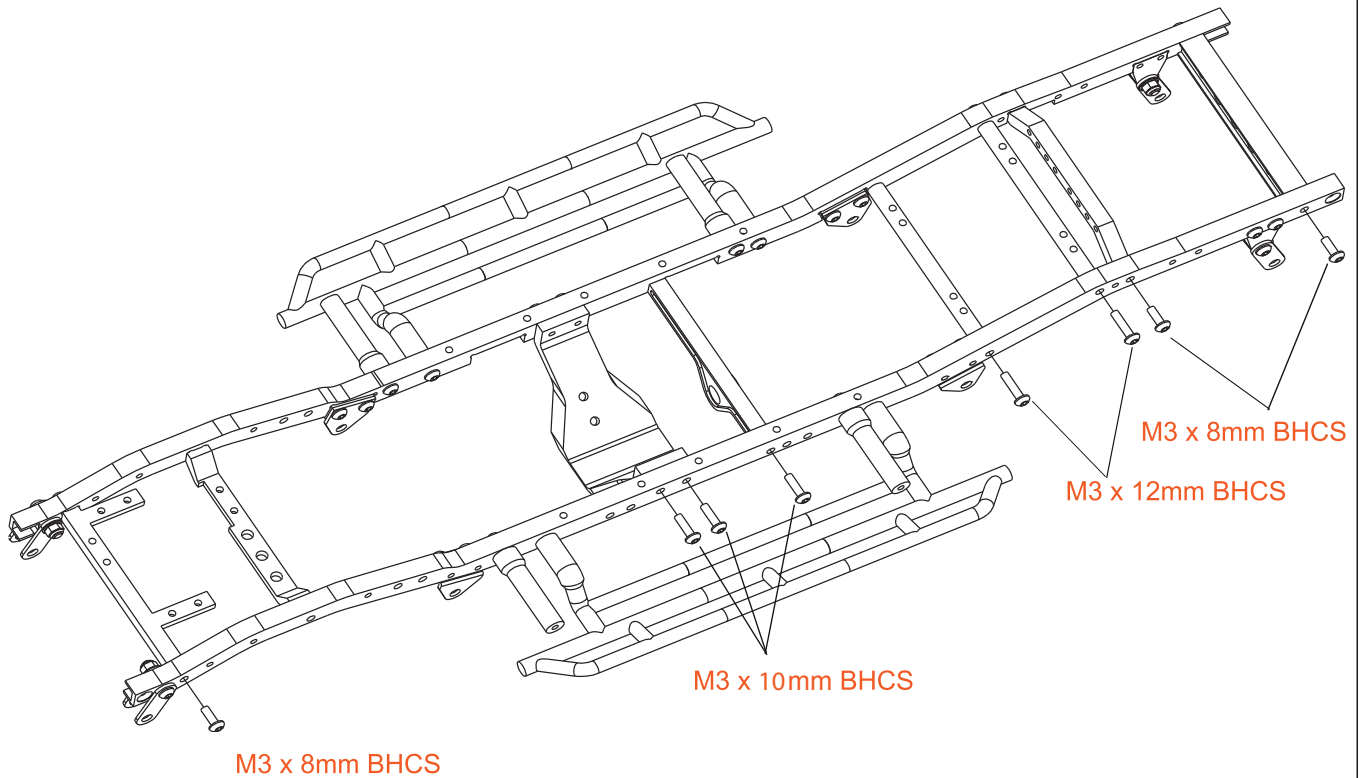
M3 x 15mm Step Screw



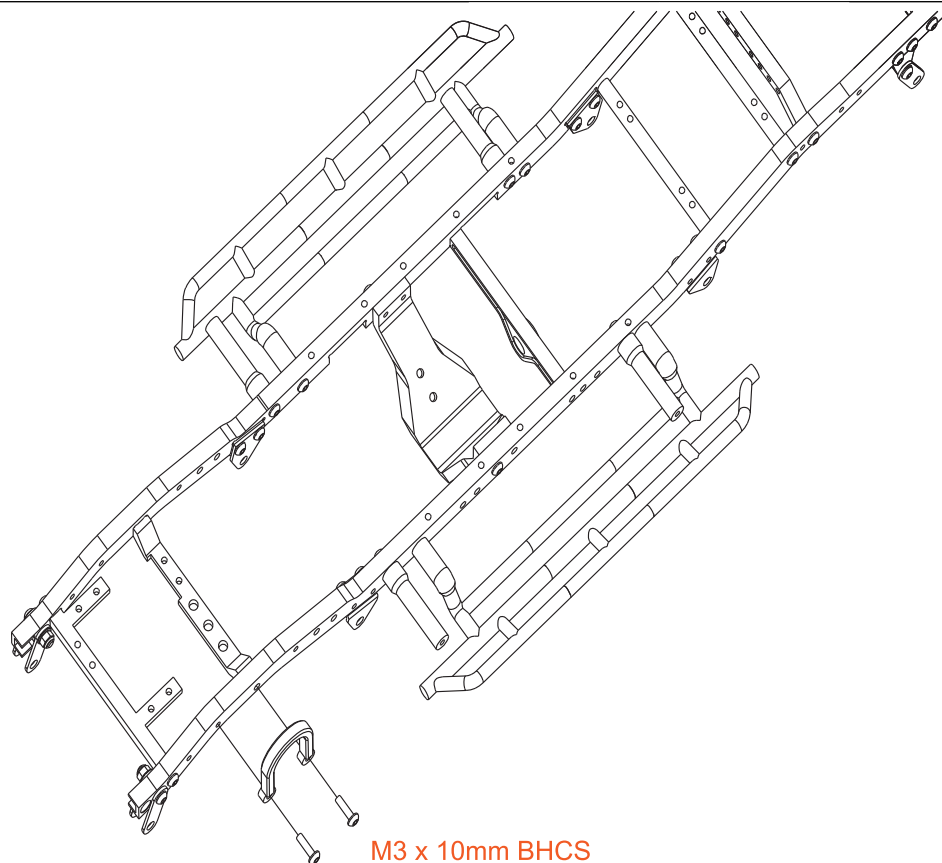
●12*



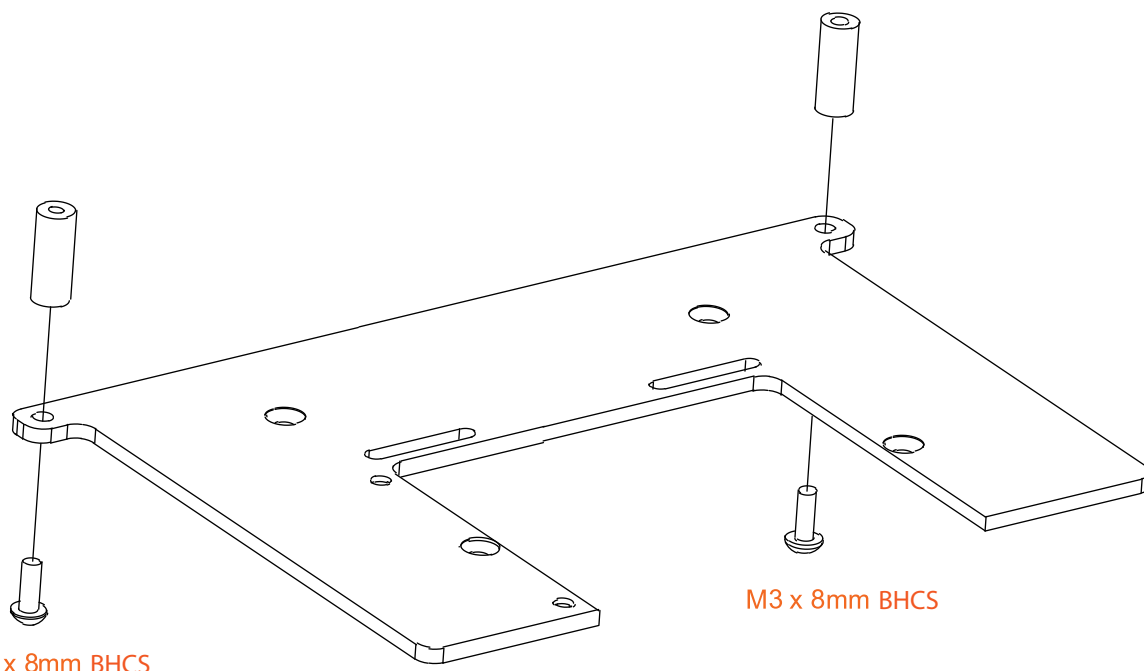
●13*



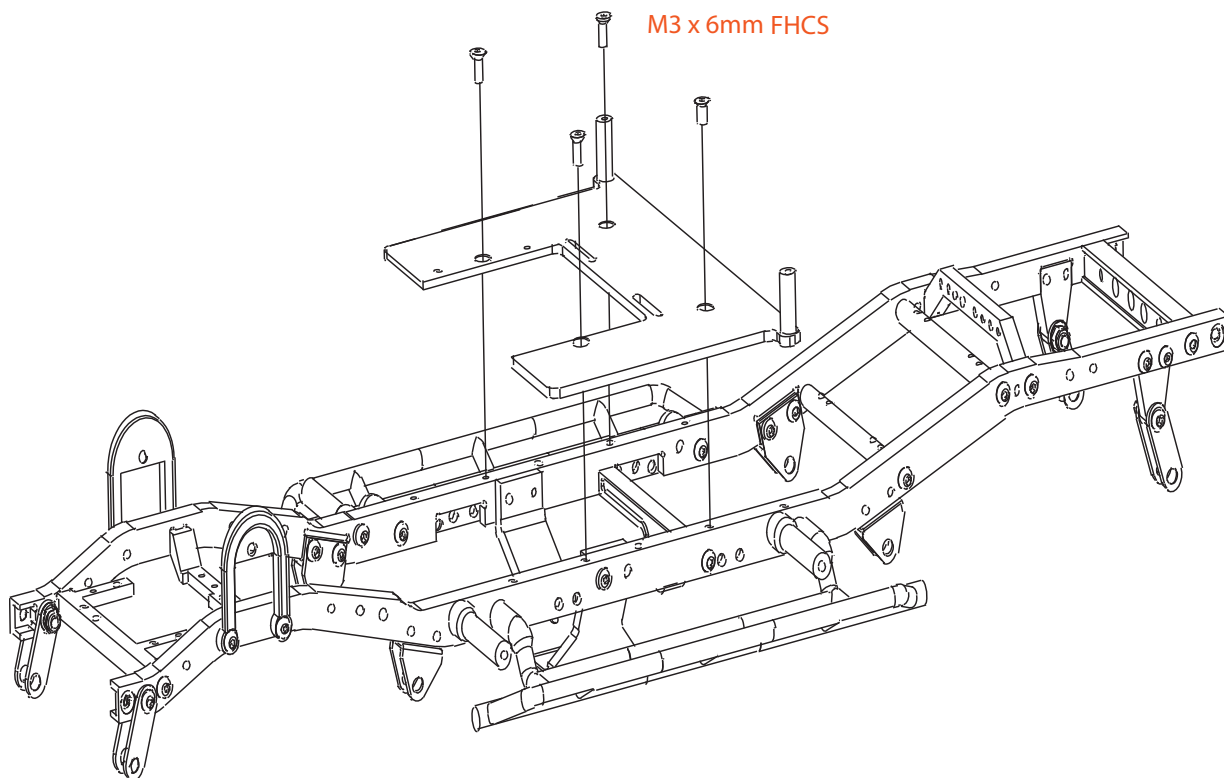
●14*



●15*

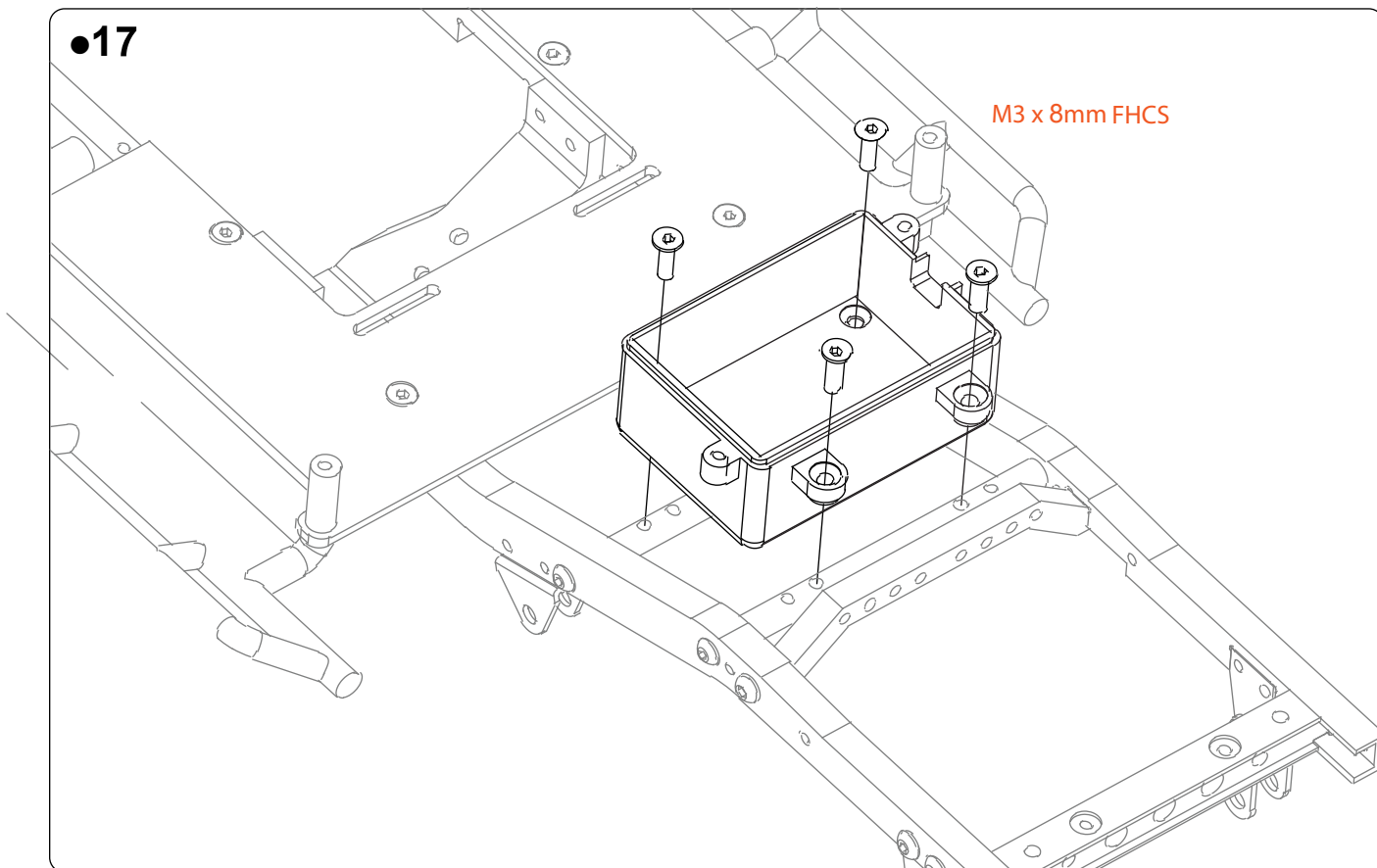


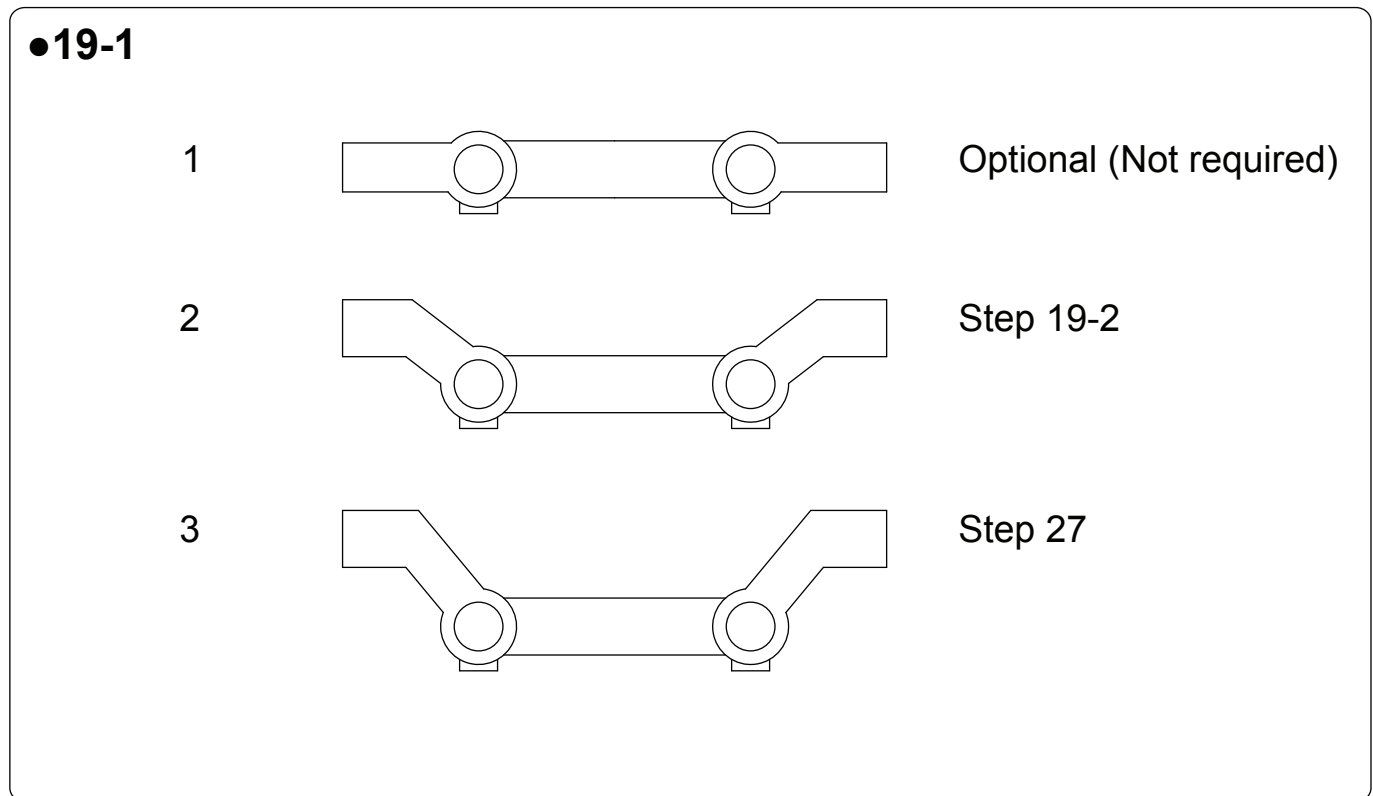
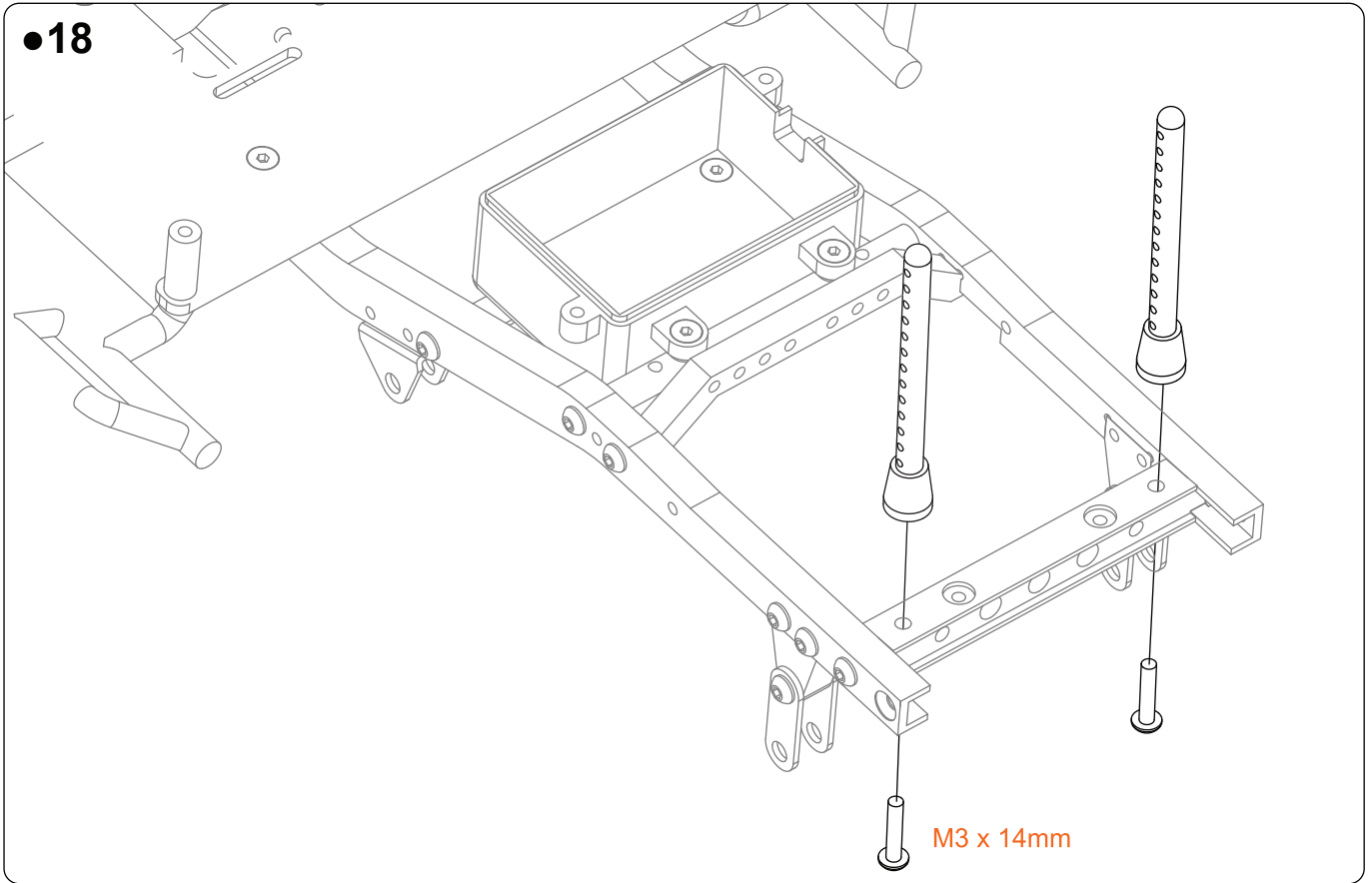
●16*



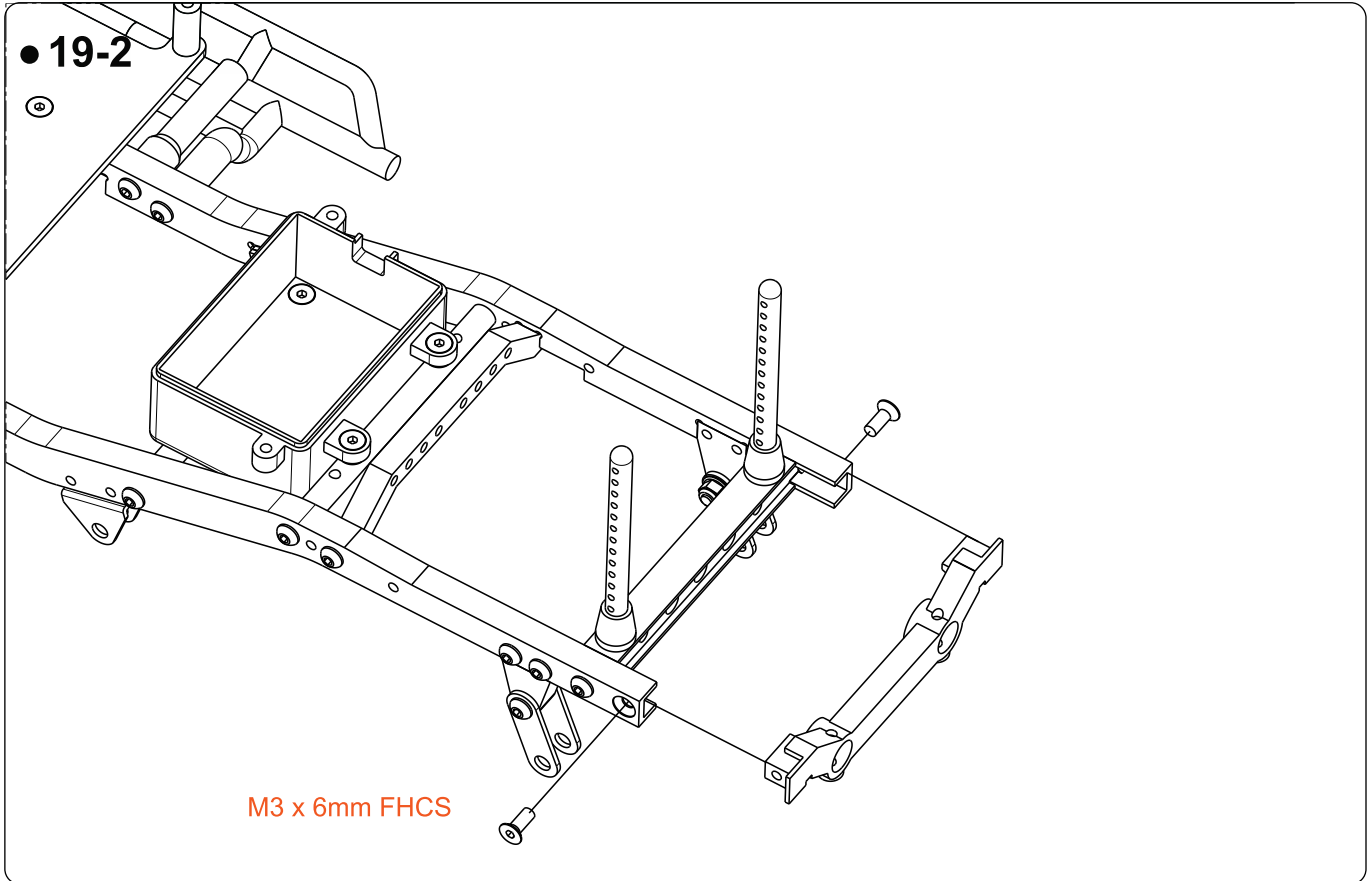
●17

M3 x 8mm FHCS

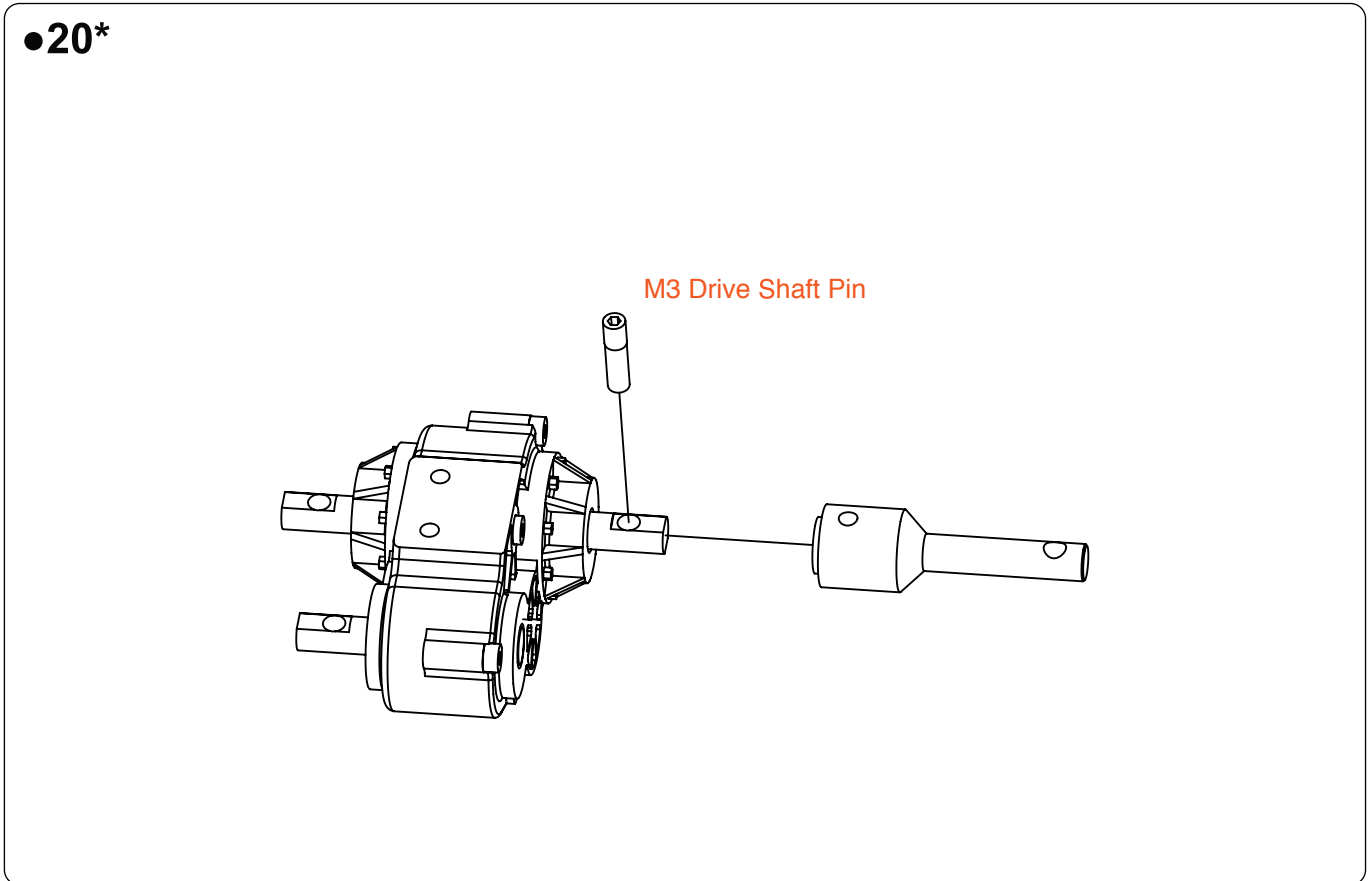




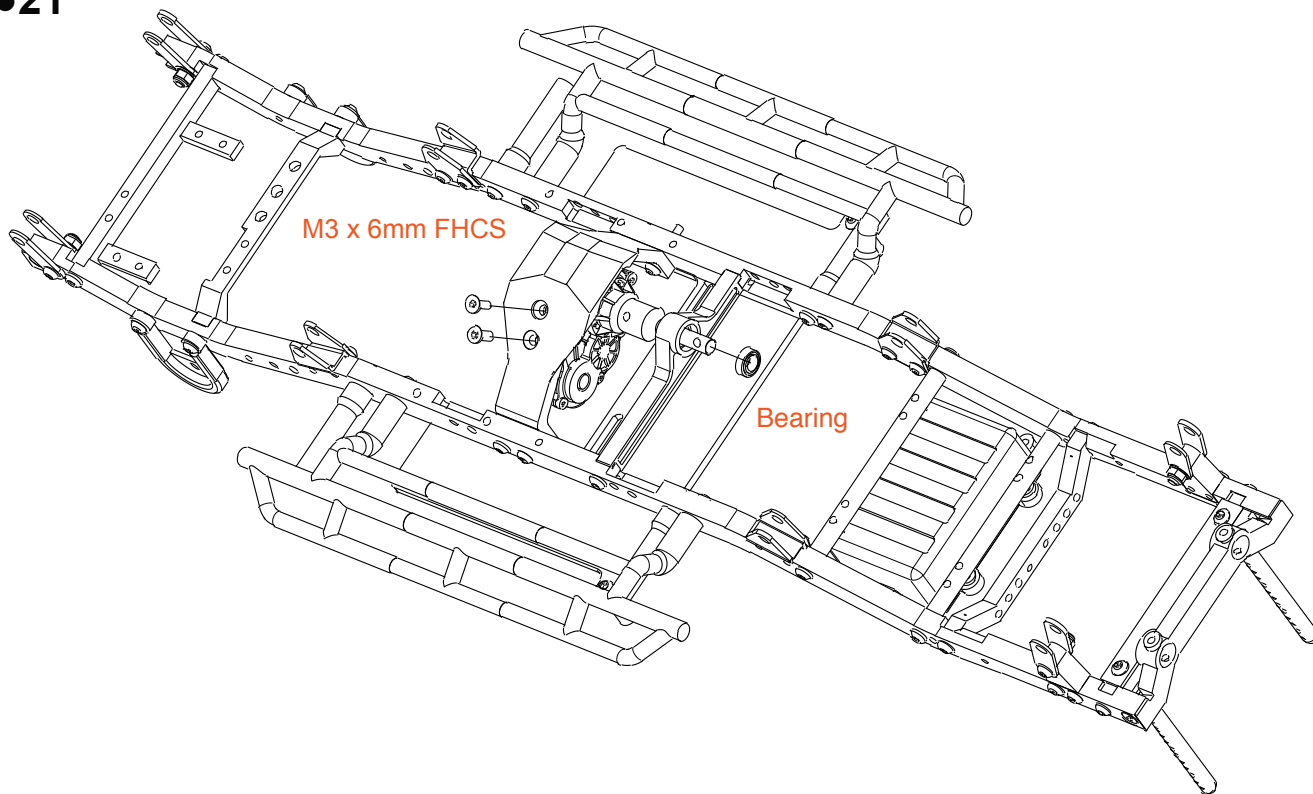
● 19-2



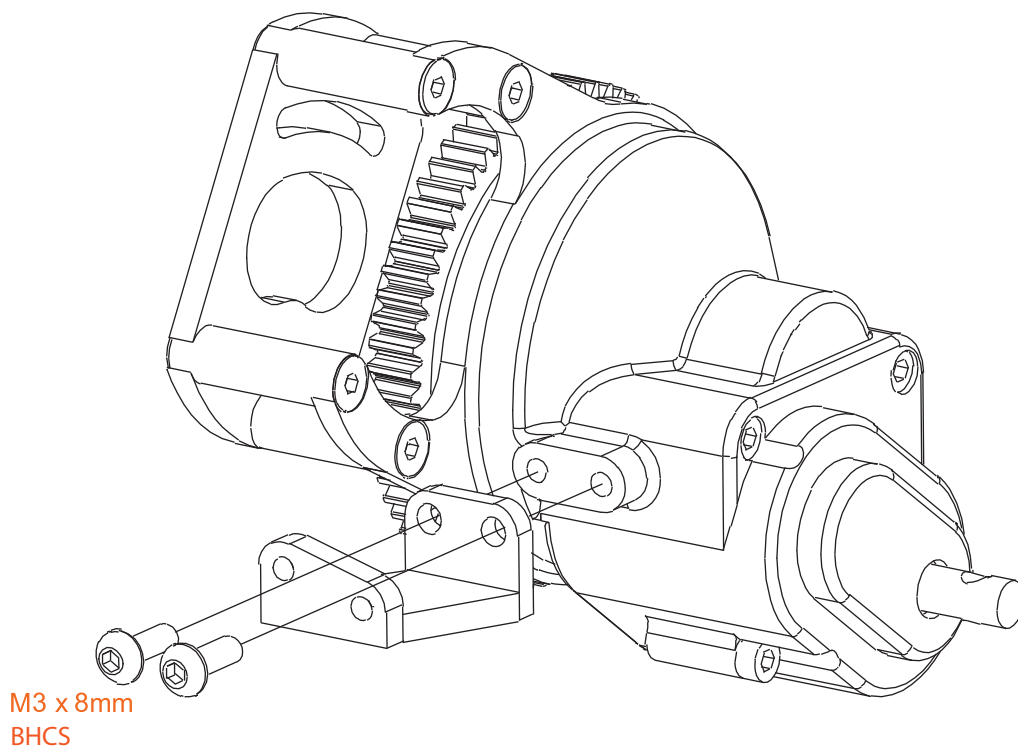
● 20*



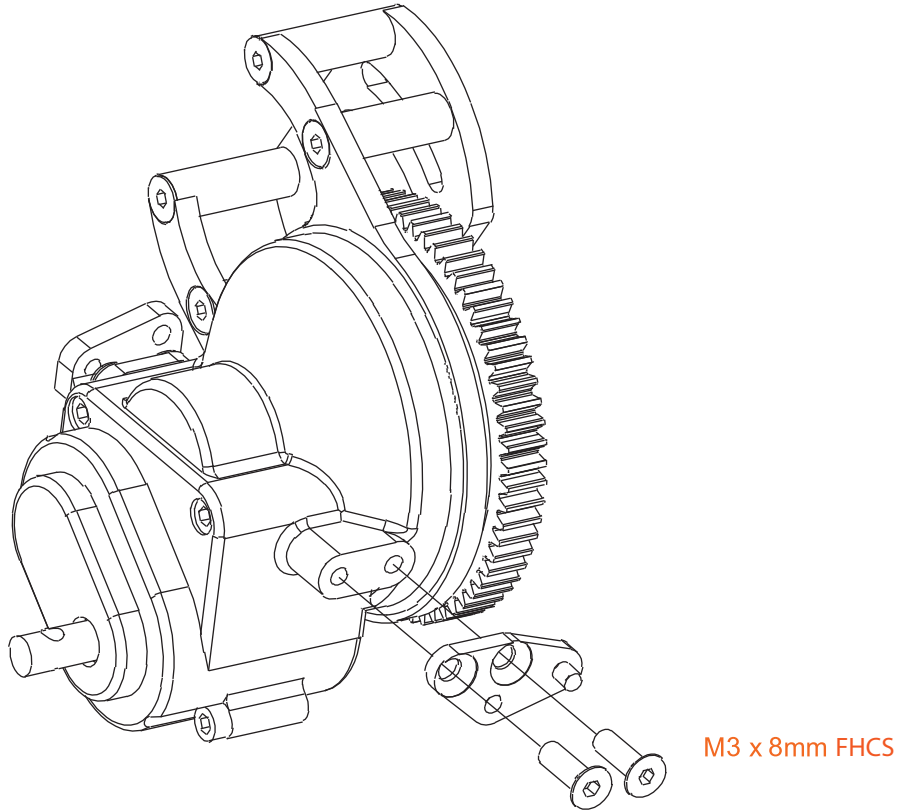
●21*



●22*



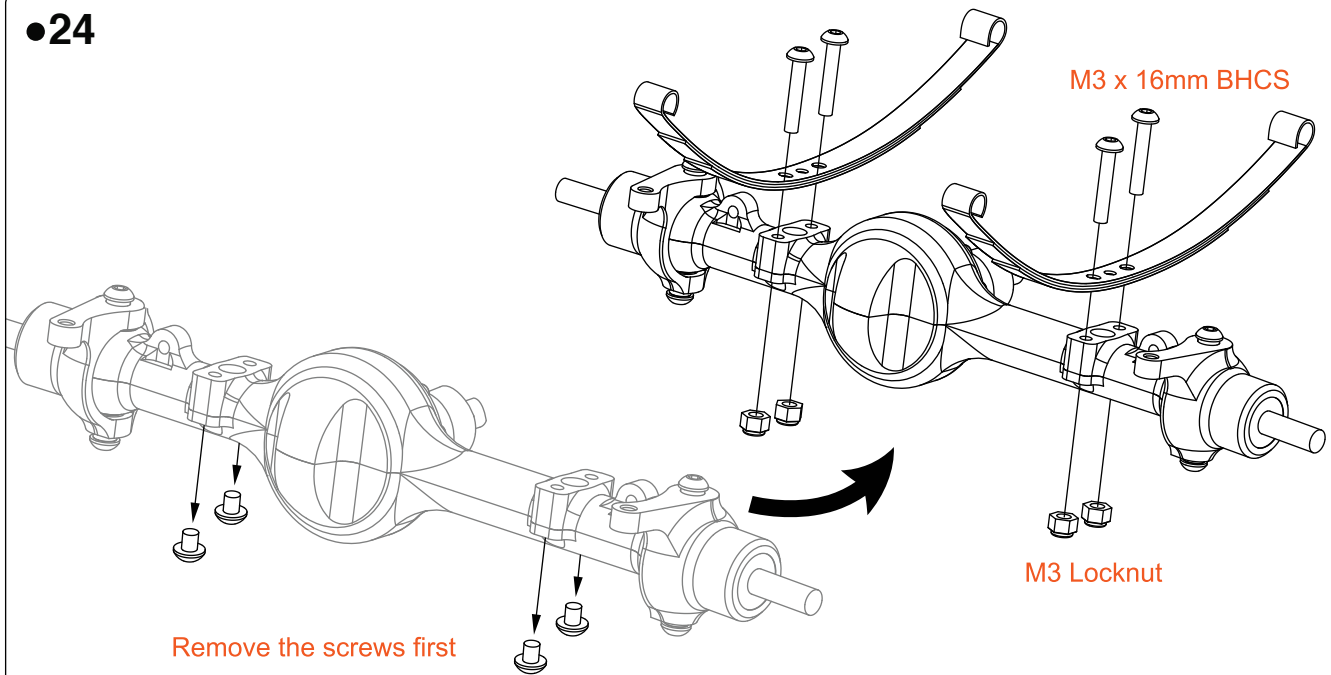
●23*



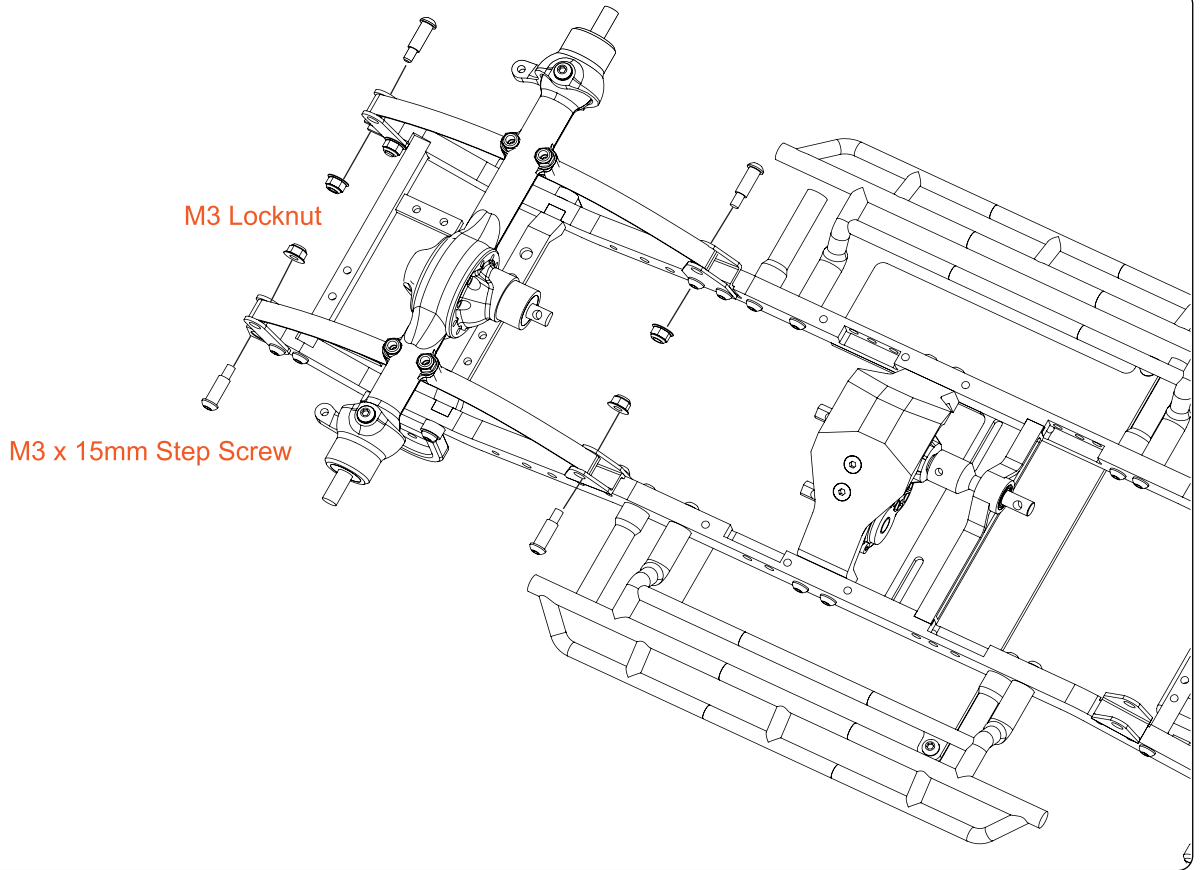
Attach leaf springs to front and rear axles

Note: The smaller helper leaves can be fitted below the main leaf to stiffen the suspension.

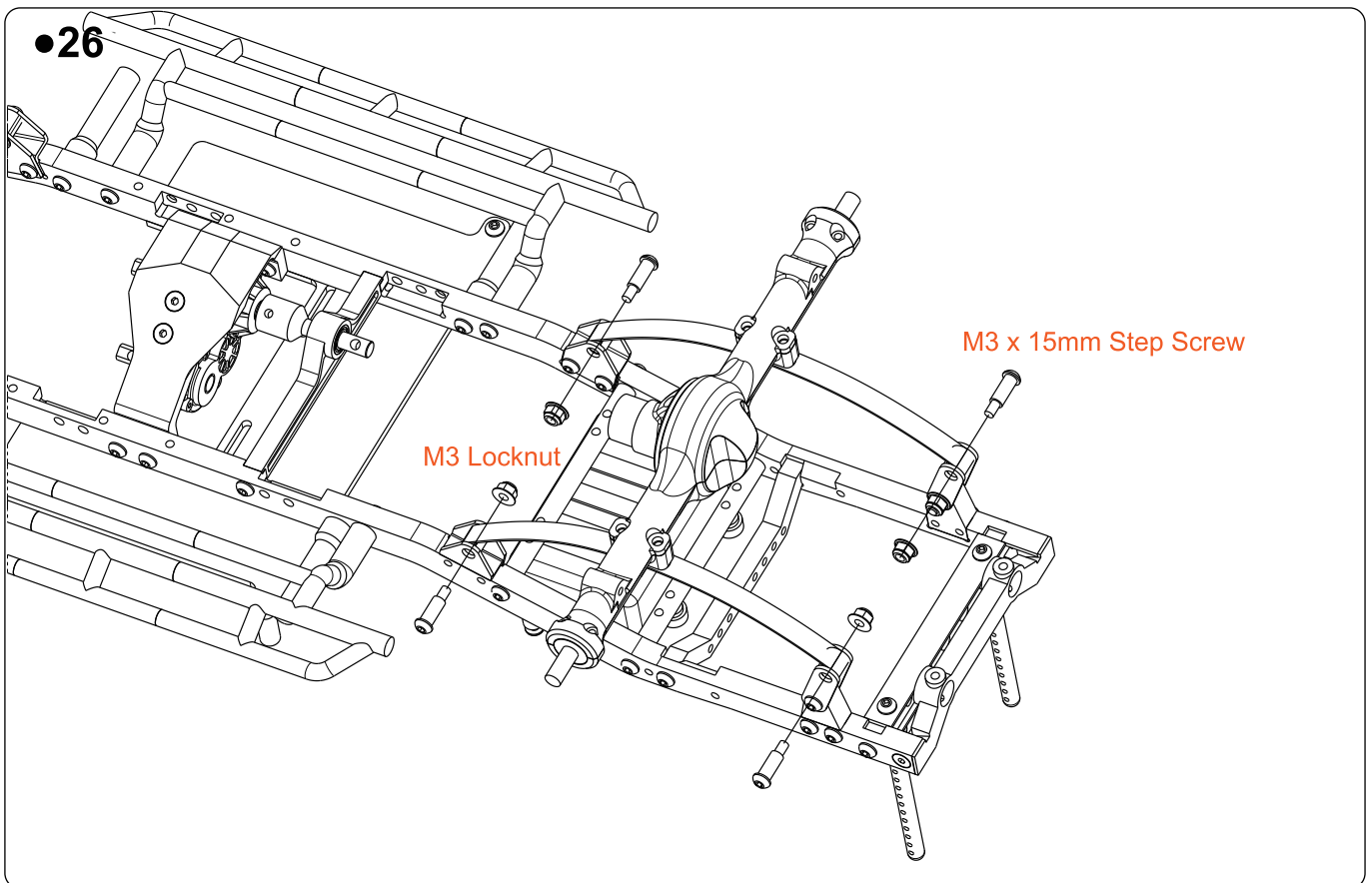
●24



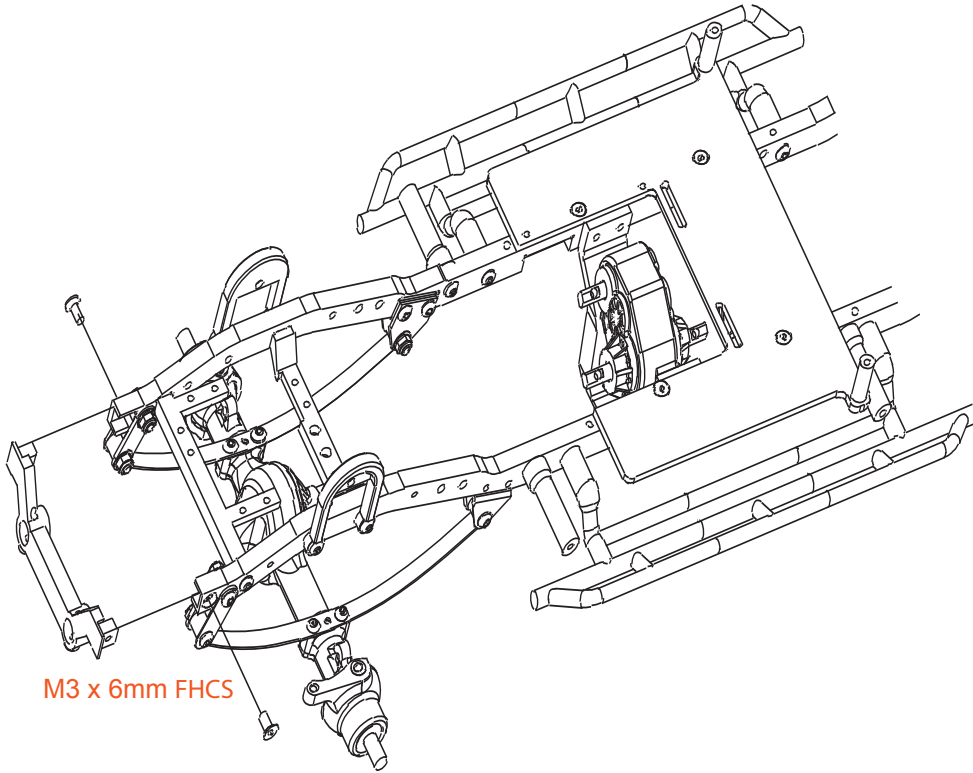
●25



●26

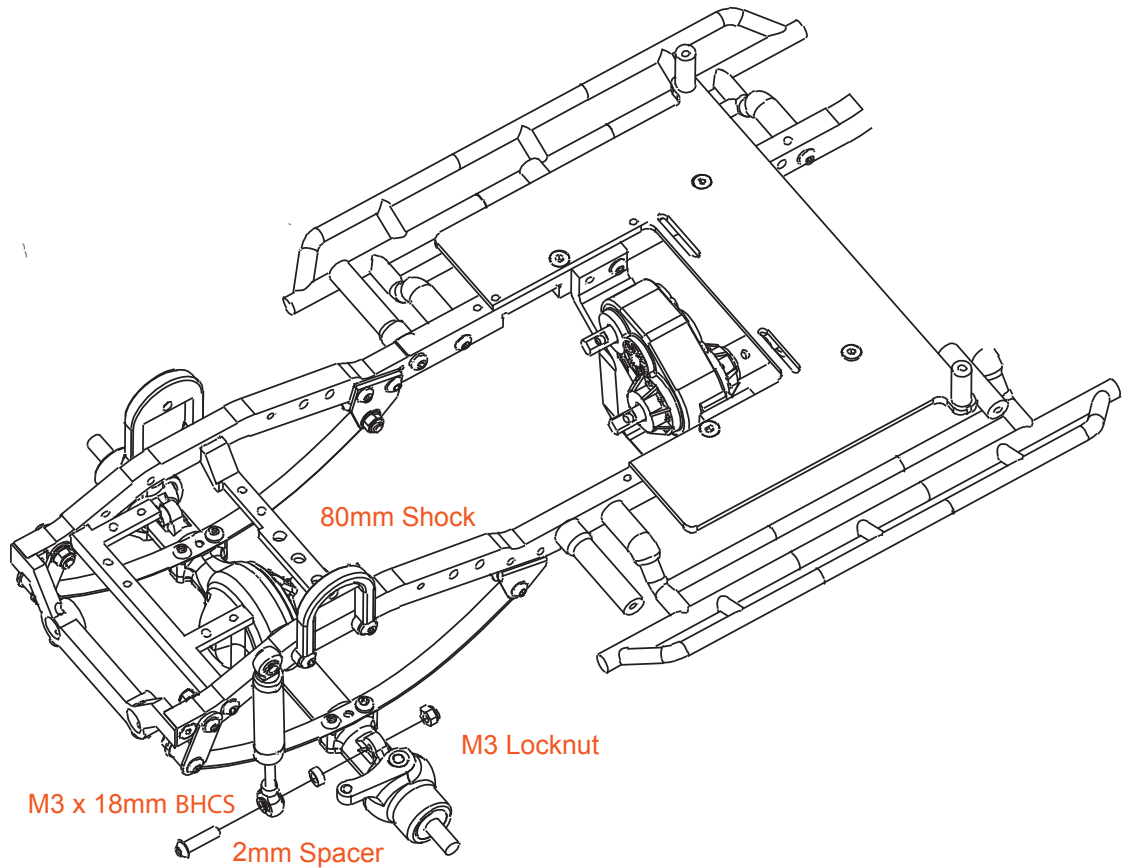


● 27



M3 x 6mm FHCS

● 28



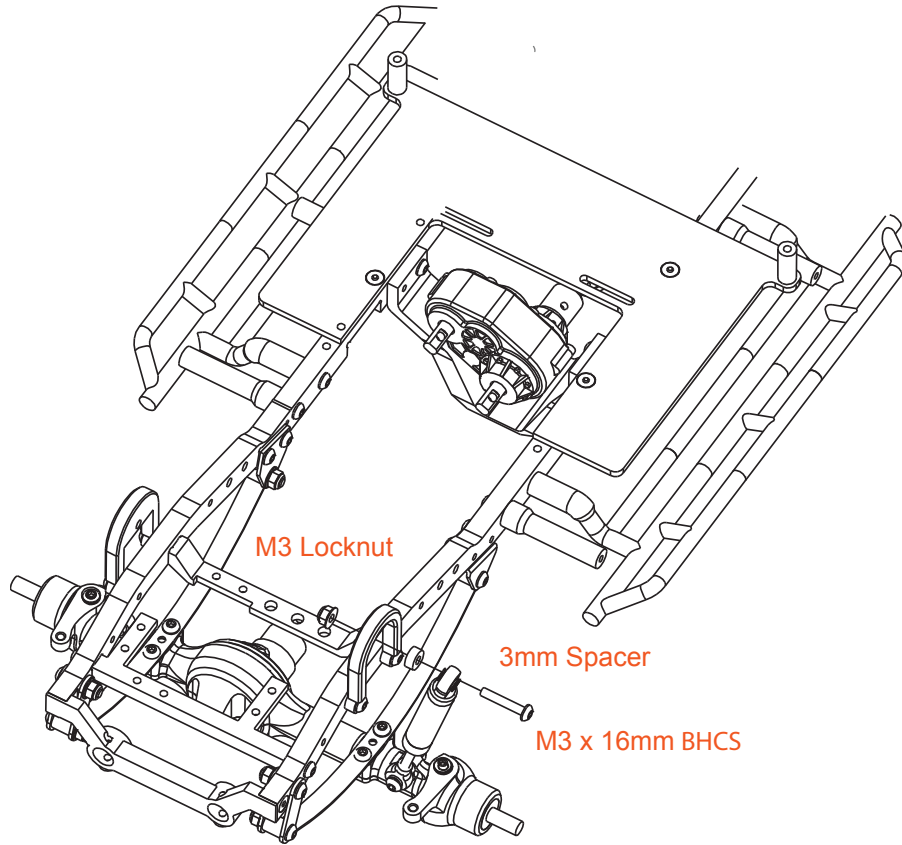
80mm Shock

M3 Locknut

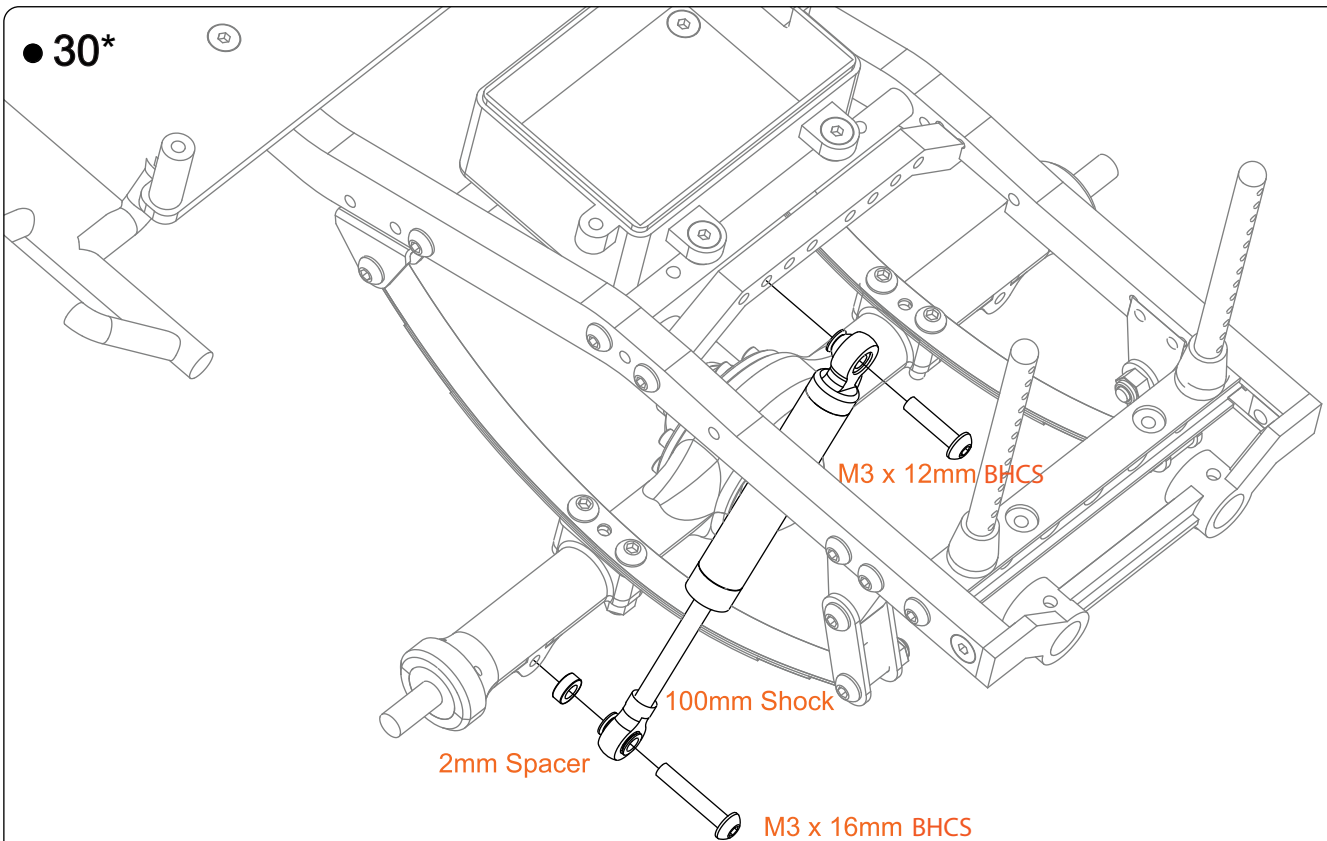
M3 x 18mm BHCS

2mm Spacer

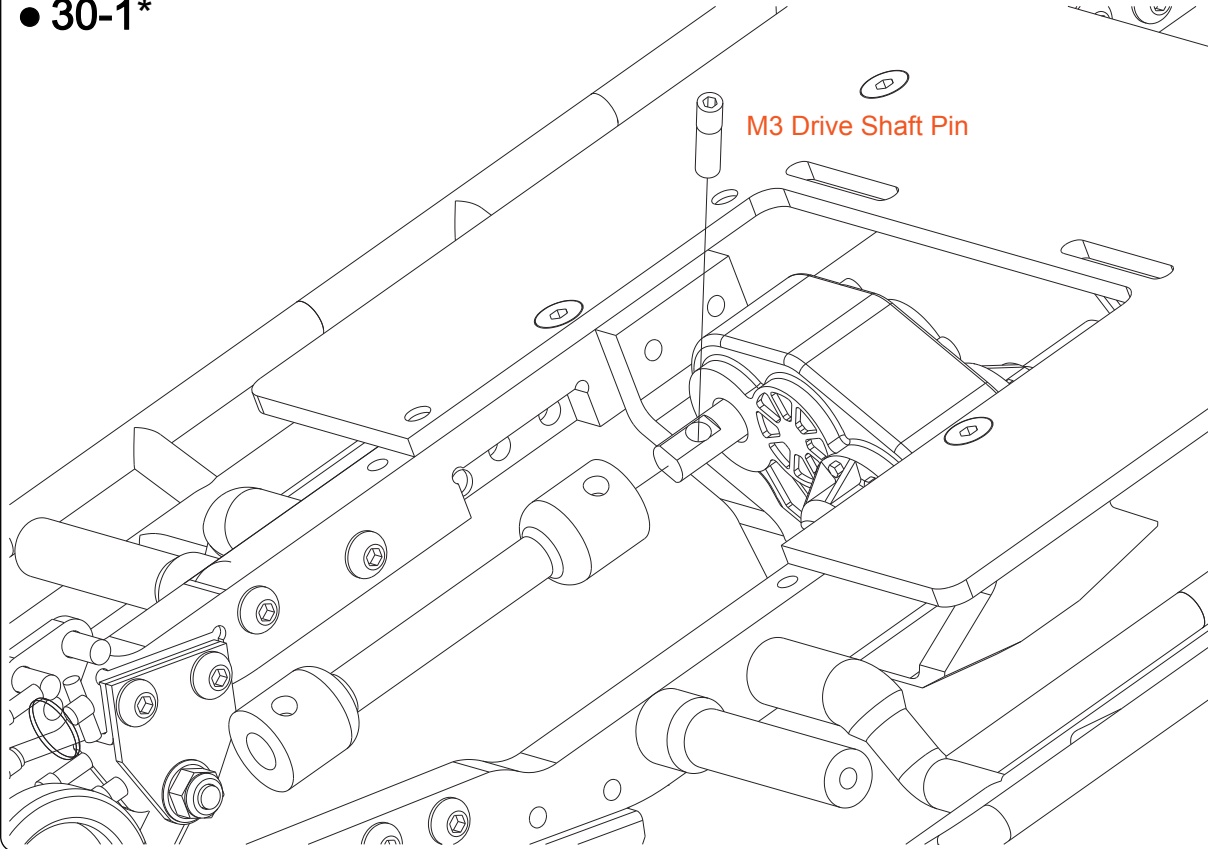
● 29



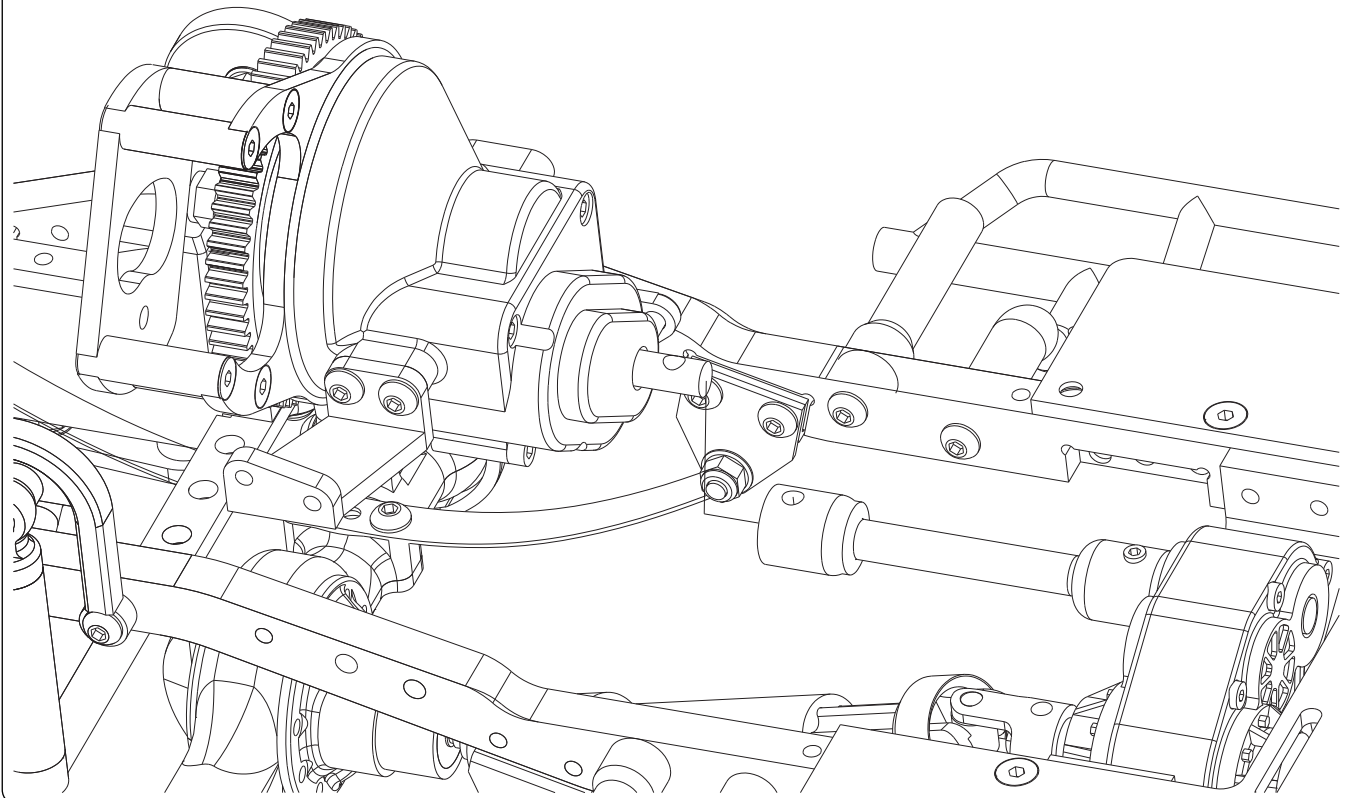
● 30*



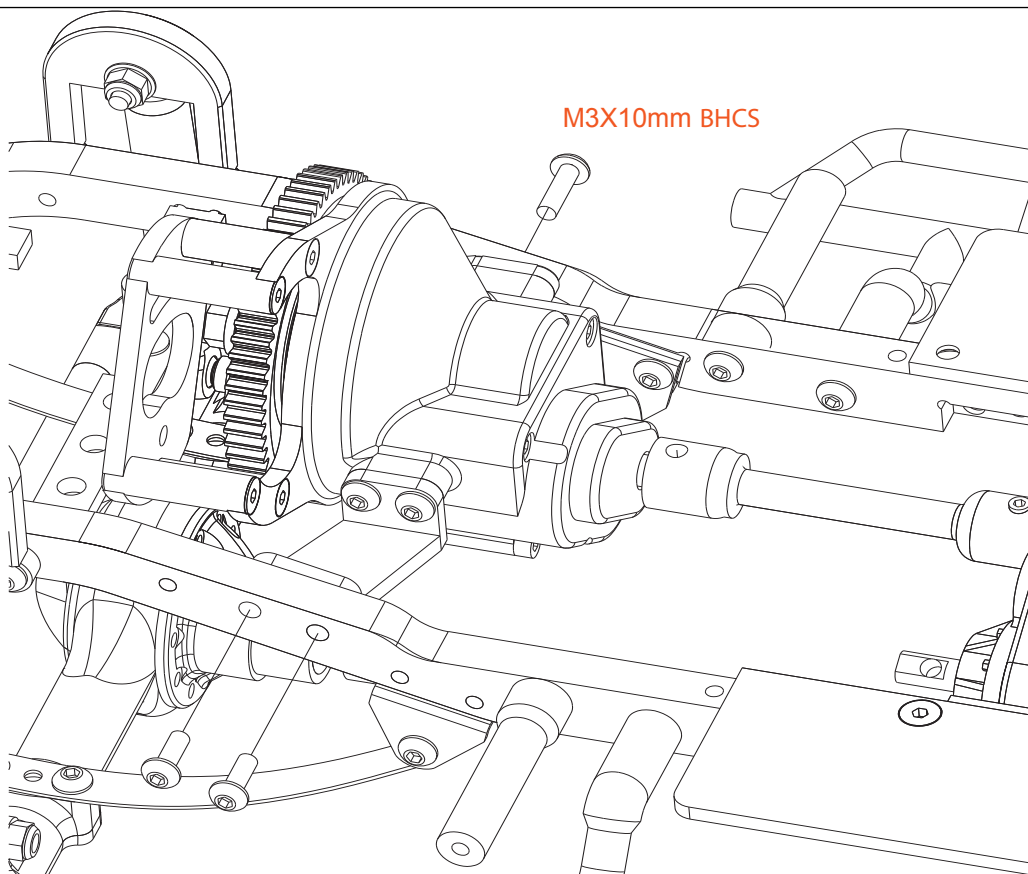
● 30-1*



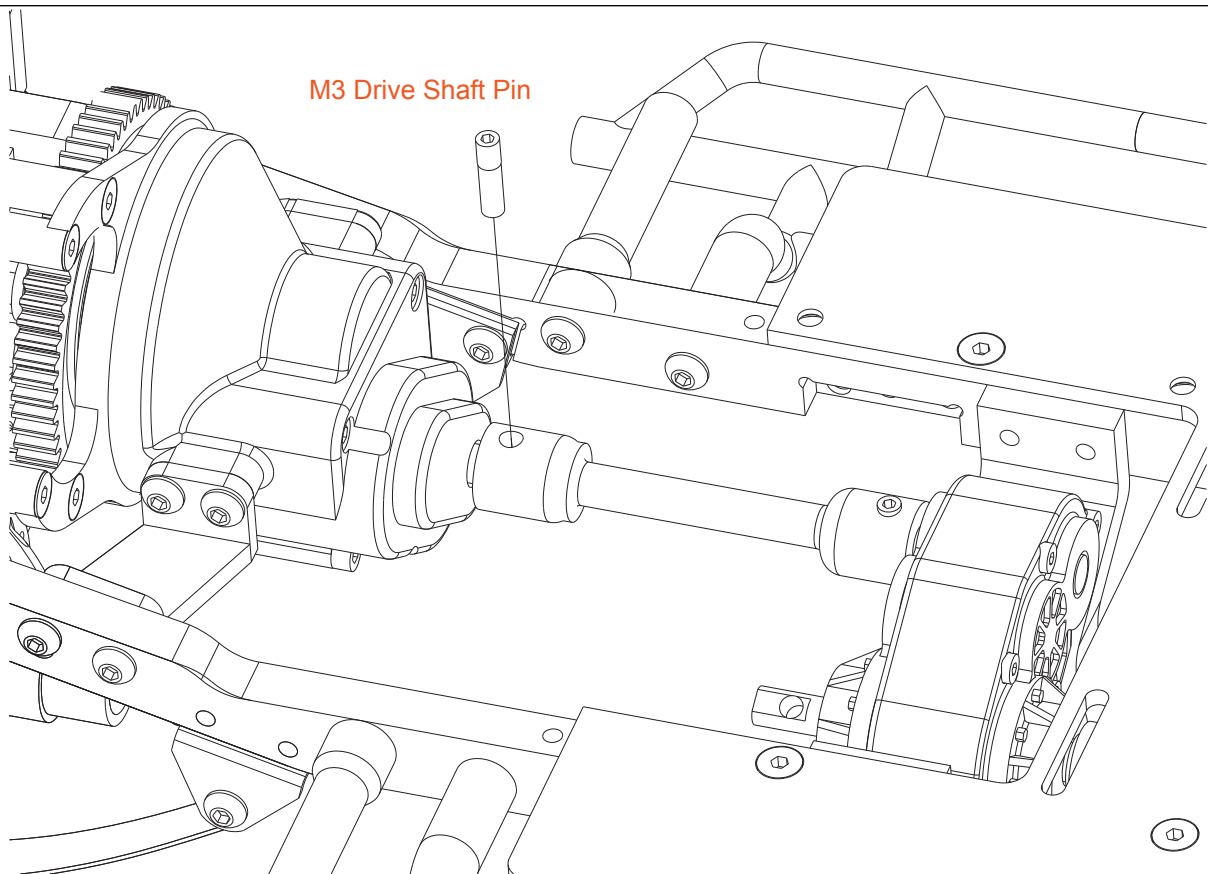
● 30-2*



• 31*

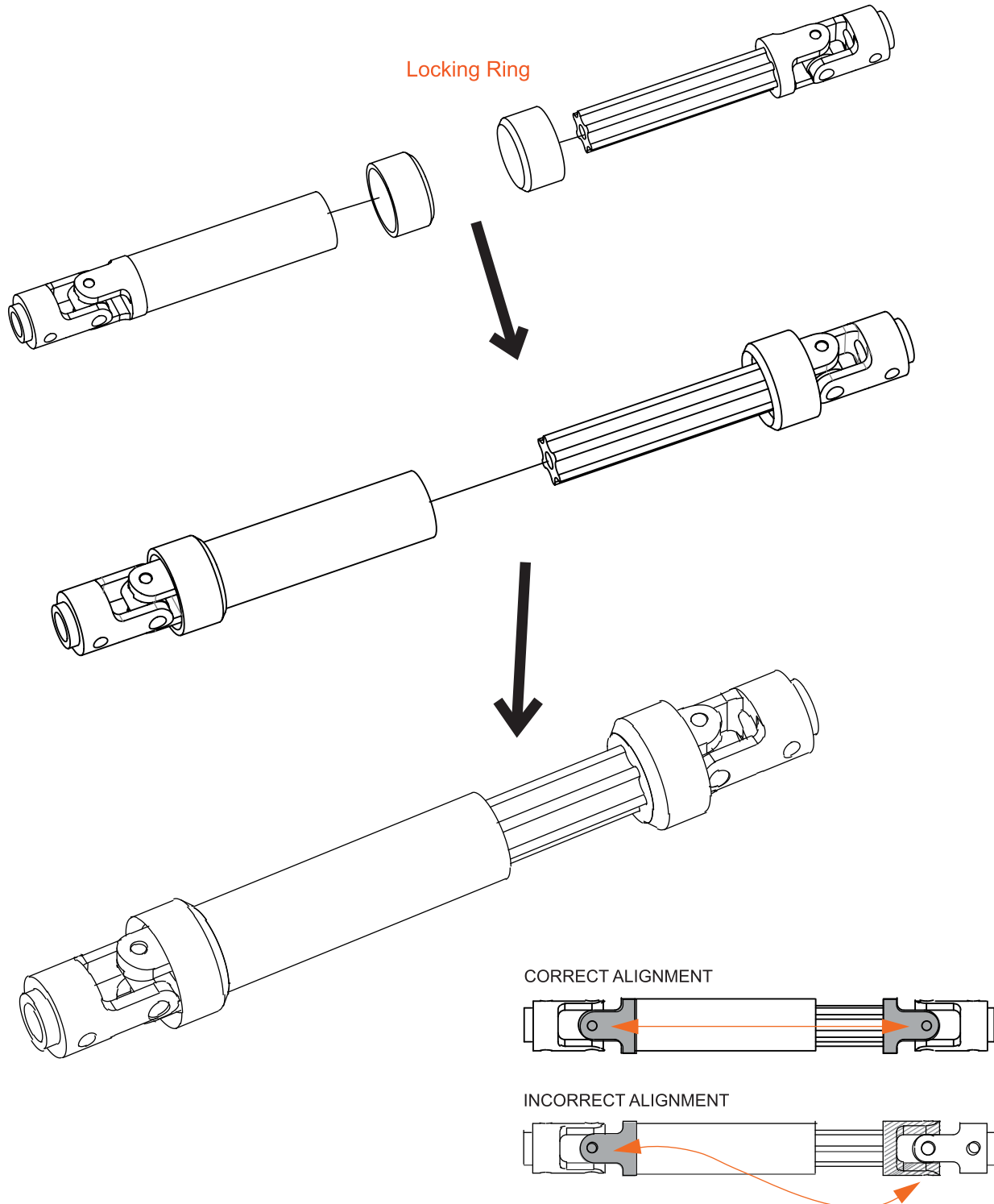


• 32

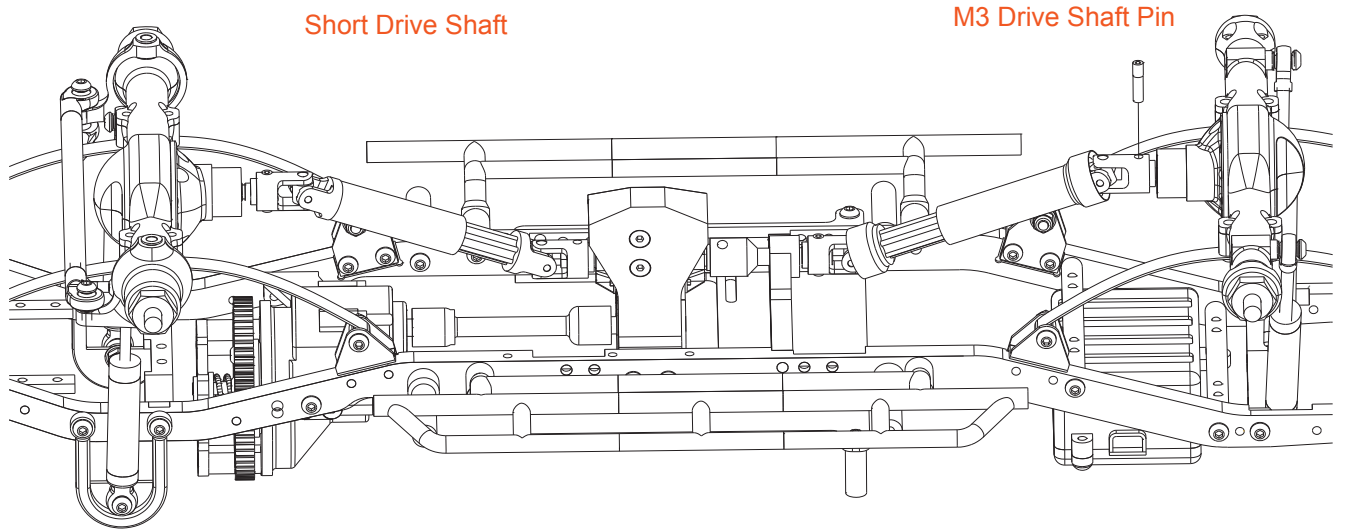


Install drive shaft rings

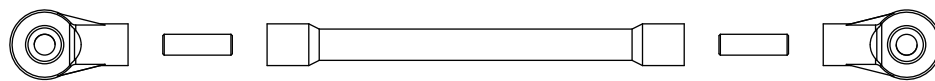
• 33



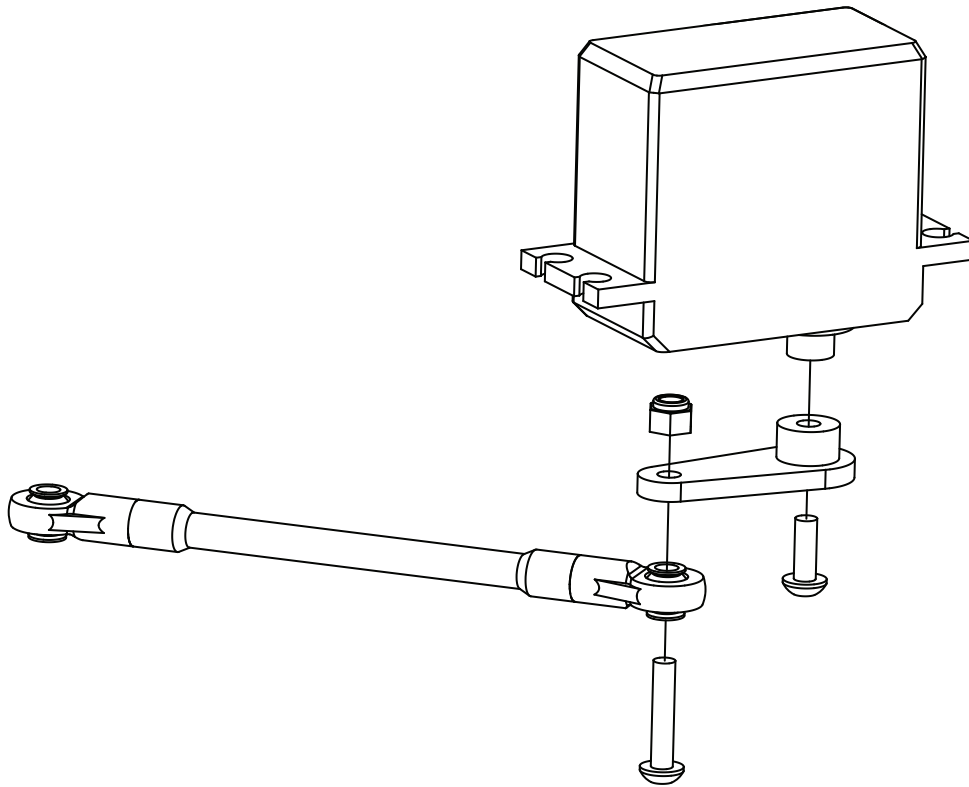
• 34



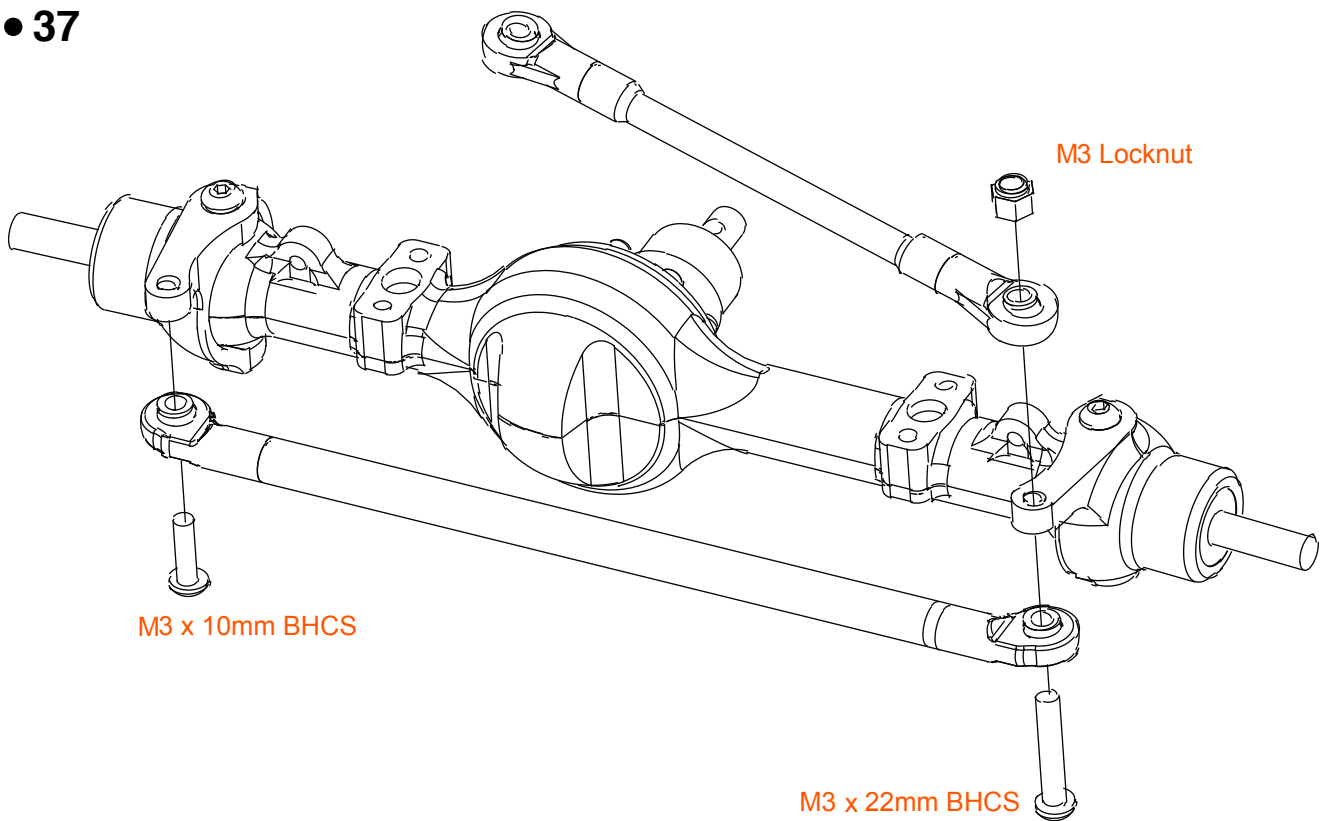
• 35



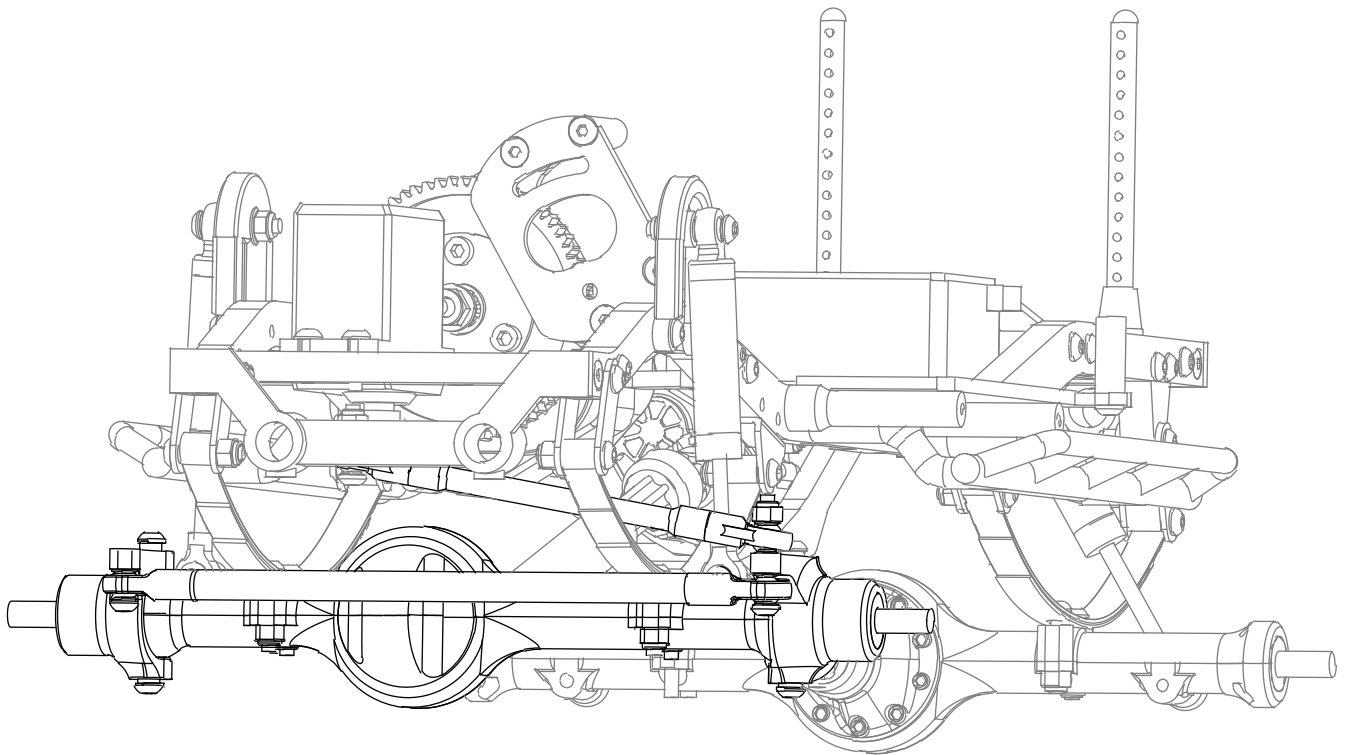
• 36



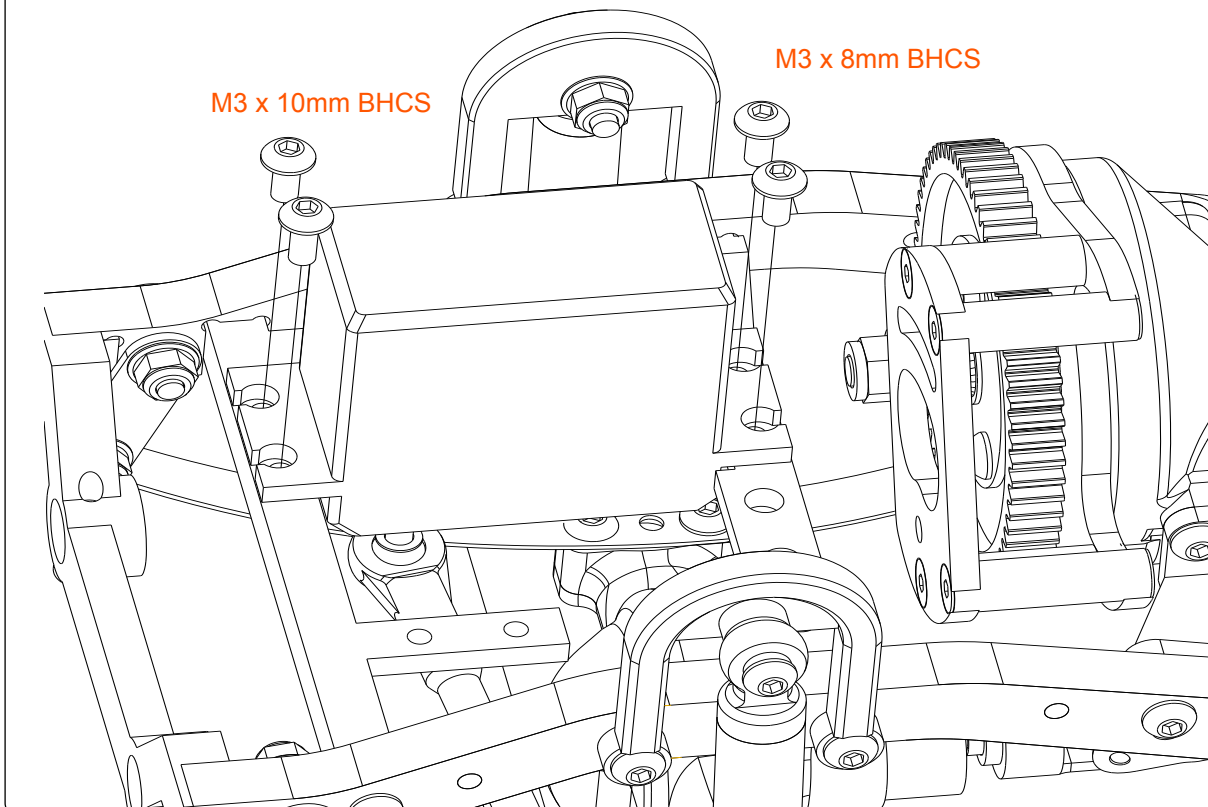
• 37

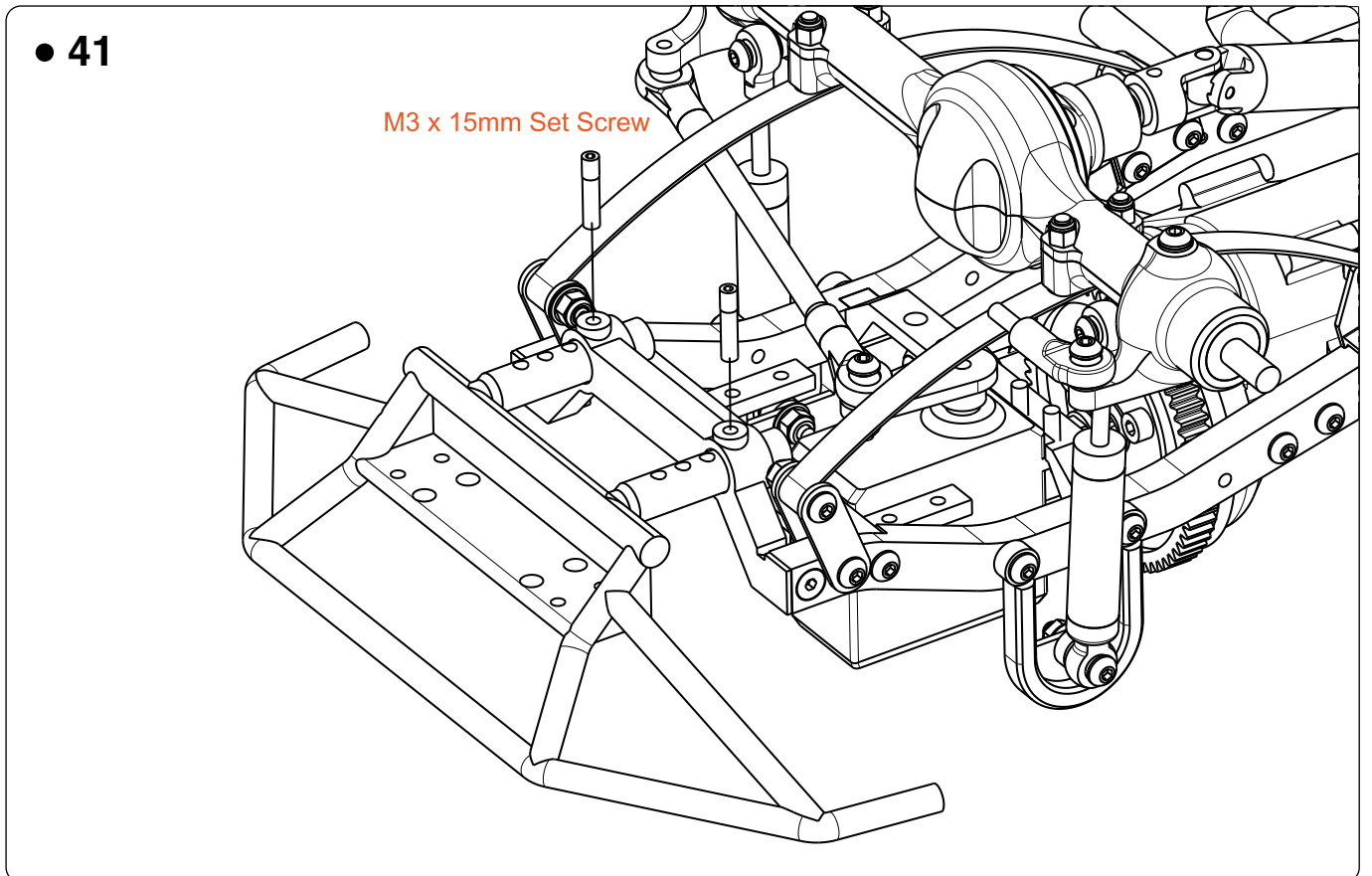
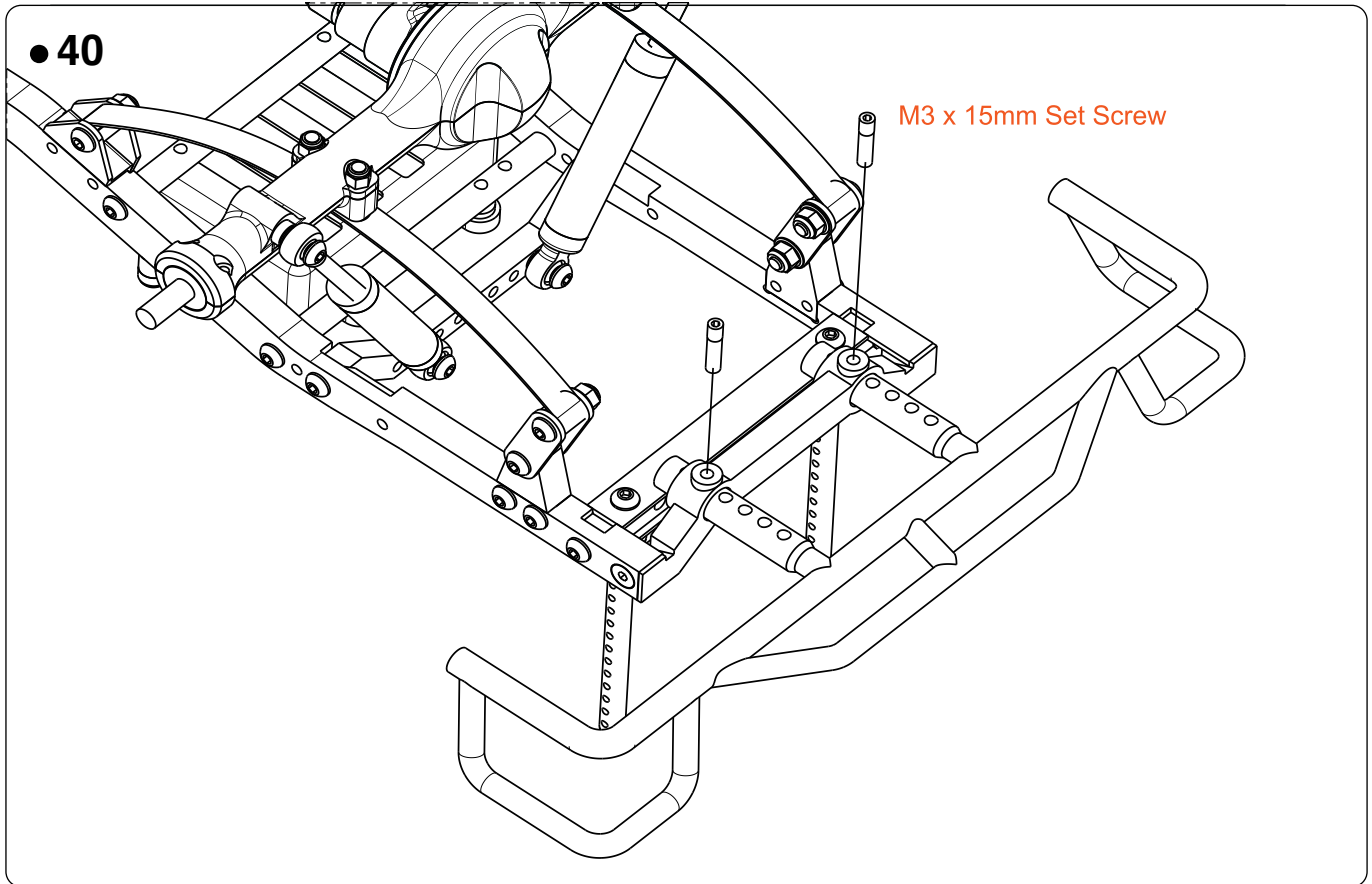


• 38



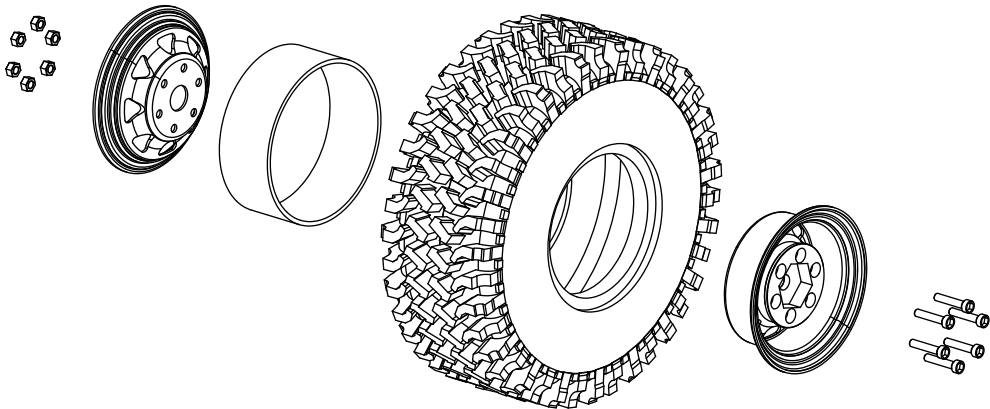
• 39





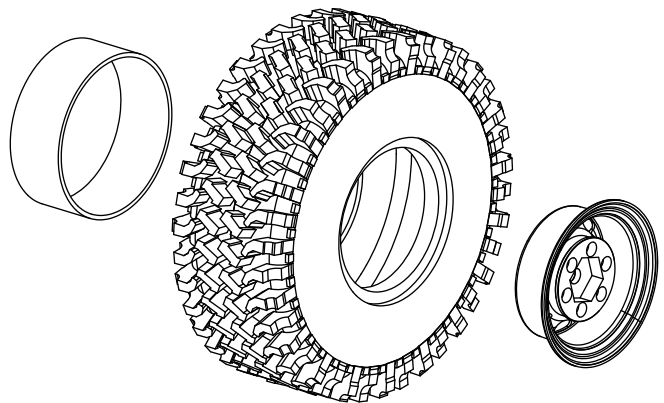
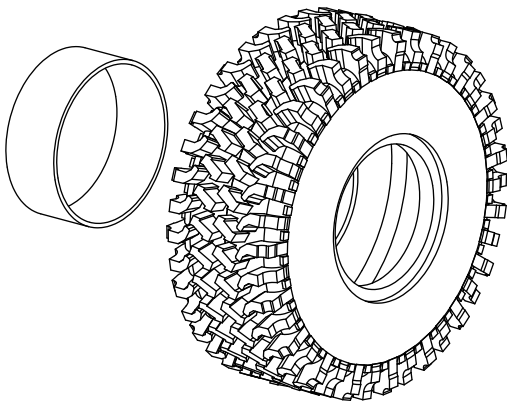
● 42

Wheel Disassembly Shown



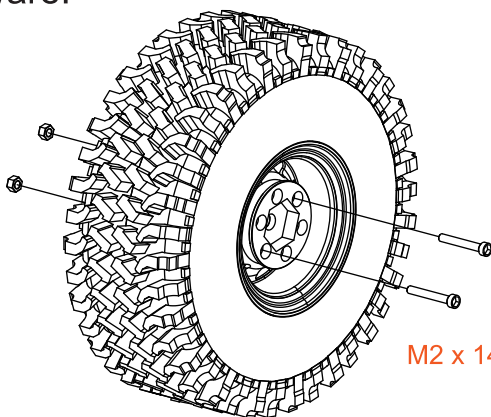
1. Insert internal beadlock ring into tire.

2. Install wheel front and back.
NOTE: Ensure front and back side spokes align with each other.

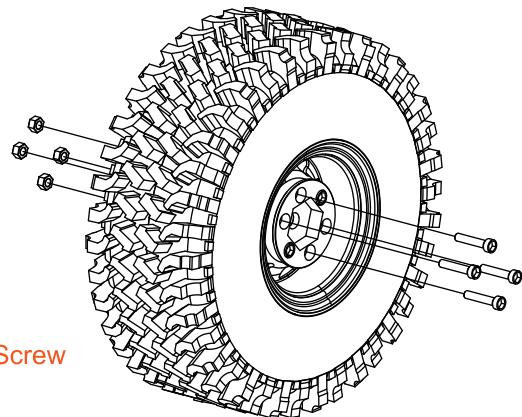


3. Use the included longer hardware to help aid in tire and wheel installation. Be sure to slowly tighten the nuts on the longer hardware until you are able to begin installing the included shorter hardware.

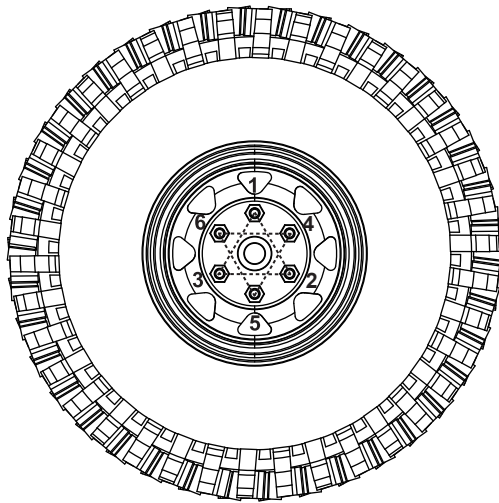
4. Install the correct shorter length hardware into the remaining holes.



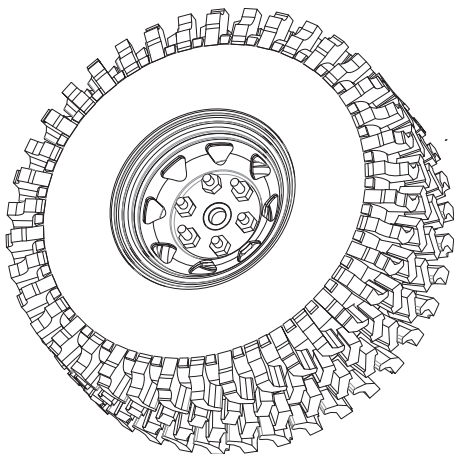
M2 x 14mm Cap Screw



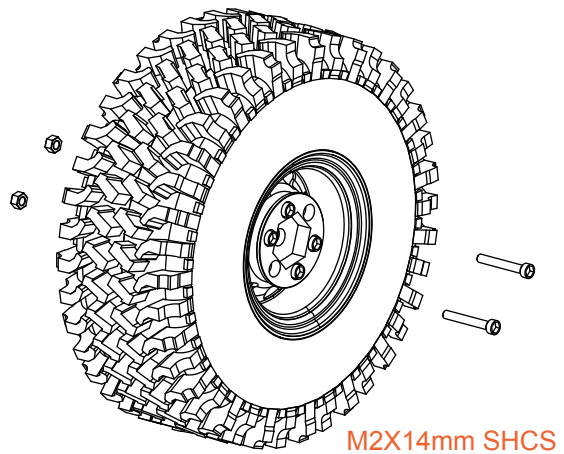
5. Begin to tighten the hardware into a star shape pattern to fully seat the tire to the wheel properly.



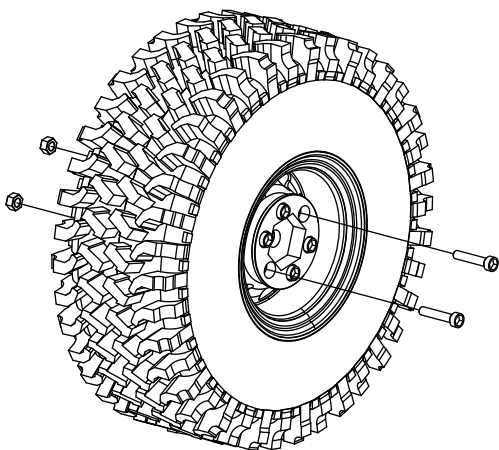
6. Your wheel and tire should be fully seated as shown:



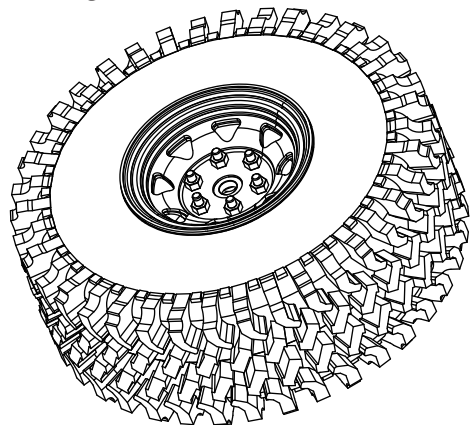
7. Now you can remove the longer hardware.



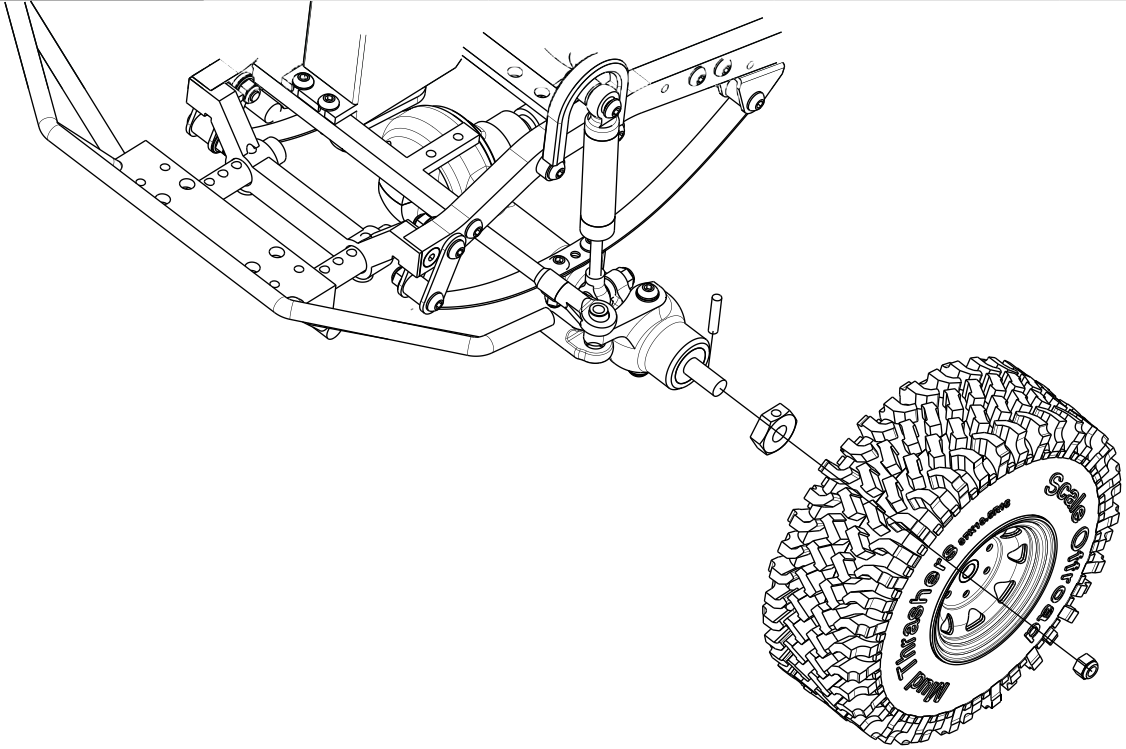
8. Install the correct shorter hardware.



9. Completed assembly of your new wheels and tires should look like the following:

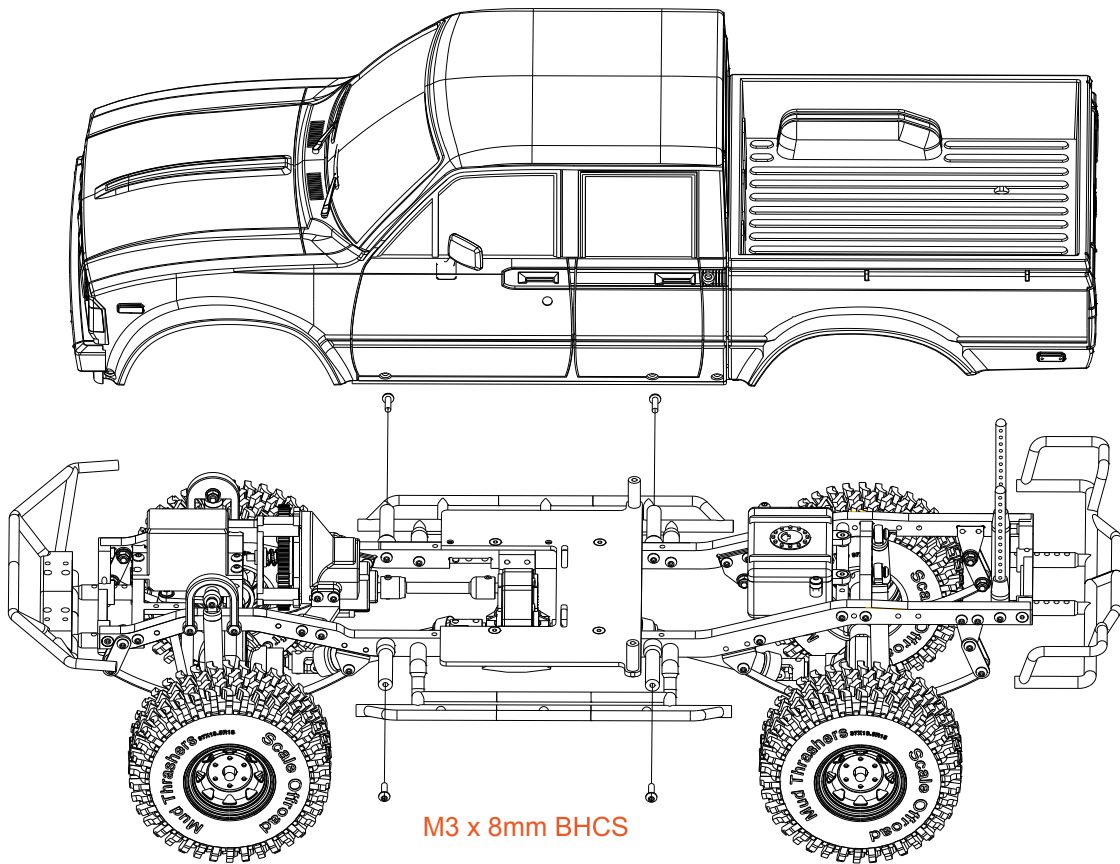


● 43



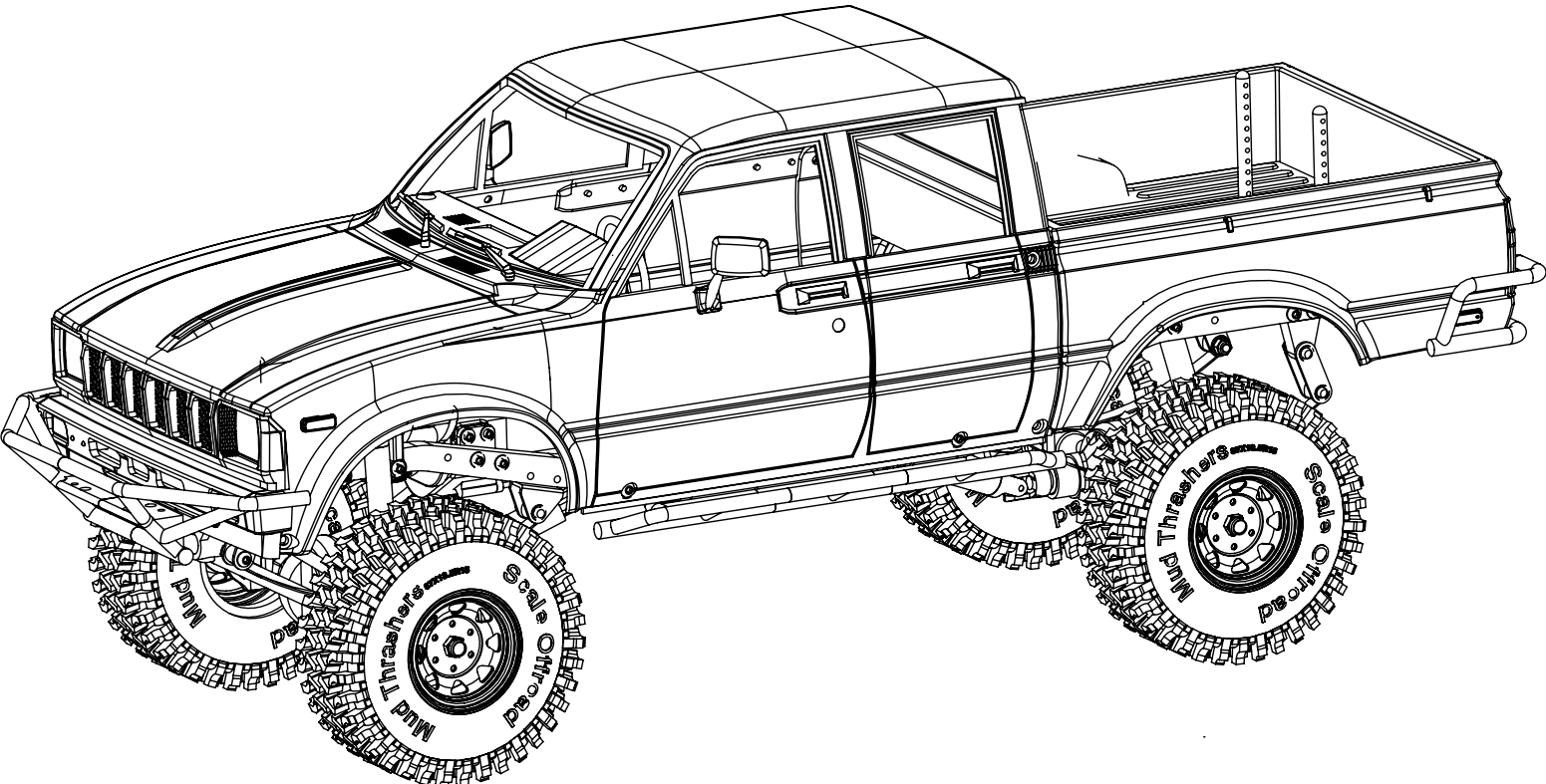
Note: Body is not included and is shown for installation purposes.

● 44



TRAILFINDER 2 LWB RTR

Trailfinder 2™ LWB RTR w/ Mojave II Four Door Body Set



Drive it like you built it!



Spare Parts

Z-B0029	TF2 Plastic Body Posts
Z-S0592	TF2 Fuel Cell Radio Box
Z-S0593	TF2 Bumper Mounts
Z-S0594	TF2 Front Tube Bumper
Z-S0595	TF2 Rear Tube Bumper
Z-S0597	TF2 Shock Hoops
Z-S0598	TF2 Tcase Mounts
Z-U0024	TF2 Scale Transfer Case
Z-U0025	TF2 Scale 2 Speed Transmission
Z-S0600	TF2 2mm Spacers
Z-S0601	TF2 Yota Steering Links
Z-A0058	Yota Front Axle
Z-A0061	Yota Rear Axle
Z-S0027	Yota 1/10 Axle Ring & Pinion Gears
Z-D0004	The Ultimate Scale Shocks 80mm (Silver)
Z-D0001	The Ultimate Scale Shocks 100mm (Silver)
Z-S0518	Soft Steel Leaf Springs
Z-S0275	Leaf Spring Shoulder Screws (Black)
Z-S0047	Leaf Shackles (Black)
Z-S0582	Short Driveshaft
Z-S0583	Long Driveshaft
Z-W0035	1.55" Steel OEM Wheels (White)
Z-S0398	Plastic Mini Rod End
Z-S0401	Plastic Offset Rod End
Z-T0100	Thrashers 1.5 Mud Thrashers 1.55" Scale Tires
Z-S1730	RC4WD Marlin Crawlers Side Plastic Sliders for TF2 LWB
Z-R0009	XR3 3-Channel 2.4Ghz Transmitter/Receiver Radio
Z-E0089	Outcry II Waterproof ESC
Z-E0035	Twister High Torque Metal Gear Digital Servo
Z-E0004	540 Crawler Brushed Motor 45T

Recommended Equipment

Z-E0063	Twister Ultimate High Performance Waterproof Servo
Z-R0006	RC4WD XR4 4-Channel 2.4 GHz Transmitter/Receiver
Z-S0182	Heavy Duty Metal Servo Arm for Futaba Type Servo (Black)
Z-E0033	Servo Extension Wire 200mm



Optional Parts

- Z-S0565 3 Link Kit For Trail Finder 2 Front Axle w/Panhard Setup
- Z-S0603 4 Link Kit for Trail Finder 2 Rear axle
- Z-E0076 RC4WD 1/10 Baja Designs S8 LED Light Bar (120mm)
- Z-S1093 RC4WD Billet Aluminum Fuel Cell Radio Box (Black)
- Z-S1122 RC4WD Billet Aluminum Fuel Cell Radio Box (Red)
- Z-D0034 RC4WD 70mm Old Man Emu Nitrocharger Sport Shock by ARB
- Z-D0038 RC4WD 90mm Old Man Emu Nitrocharger Sport Shock by ARB
- Z-S0342 XVD Axle for Ultimate Scale Yota TF2 Axle
- Z-S1590 RC4WD Warn Rock Crawler Front Winch Bumper for Trail Finder 2
- Z-S1561 RC4WD Warn Rock Crawler Rear Bumper for Trail Finder 2
- Z-S1079 RC4WD 1/10 Warn 9.5cti Winch
- Z-S0196 Scale Aisin/Yota Style Hubs
- Z-S0778 RC4WD Marlin Crawlers Front Steel Tube Bumper for Trail Finder 2
- Z-S0579 Though Armor Rear Bumper for Trail Finder 2 w/Hitch Mount
- Z-S0570 4x Red Edition Super Soft Flex Leaf Springs
- Z-S0767 RC4WD Marlin Crawlers Rear Tube Bumper for Trail Finder 2
- Z-S0209 Scale Steel Punisher Shaft (100mm - 130mm / 3.94" - 5.12") 5mm
- VVV-C0213 Rough Stuff Metal Front Bumper for RC4WD Trail Finder 2 (Double Hella Round Lights)
- VVV-C0208 Steel Rear Bumper for RC4WD Trail Finder 2 (Style A)
- VVV-C0212 Steel Rear Bumper for RC4WD Trail Finder 2 (Style B)
- Z-A0048 K44 Ultimate Scale Front Axle
- Z-A0049 K44 Ultimate Scale Rear Axle
- Z-T0058 Mickey Thompson 1.55" Baja MTZ Scale Tires
- Z-T0124 Dick Cepek Fun Country 1.55" Scale Tires
- Z-W0222 RC4WD Ballistic Offroad Anvil 1.55" Beadlock Wheels
- Z-W0131 Wildcard 1.55" Scale Beadlock Wheels





www.rc4wd.com



RC4WD

618 Blossom Hill Rd. Ste 201

San Jose, CA 95123

Web: www.RC4WD.com - Email: support@rc4wd.com